

NIT NO	RBO-IV,PATIALA/09
DATE	06/04/2026



STATE BANK OF INDIA

E-TENDER DOCUMENT FOR

PROPOSED INTERIOR WORKS OF BRANCH & E-LOBBY AT

SBI,KHANAURI- 50188 BRANCH

IN PUNJAB

(TIME BOUND WORK)

TENDER NOTICE

THROUGH E-TENDERING PROCESS

Interior Contractors who are on the panel of

SBI, Chandigarh Circle,(LHO)

in the Appropriate category are only eligible

TECHNICAL BID

Last date for submission of e-tender:- 20/04/2026 by 3.30PM

State Bank of India (SBI) Invites Online Tenders from the Empaneled INTERIOR WORKS Contractors of SBI at Chandigarh for the E-TENDER FOR THE PROPOSED INTERIOR WORKS OF BRANCH & E-LOBBY AT STATE BANK OF INDIA, KHANAURI-50188 BRANCH IN PUNJAB.

1	Name of the work	<u>E-TENDER FOR INTERIOR WORKS OF BRANCH & E-LOBBY AT STATE BANK OF INDIA, KHANAURI- 50188 BRANCH IN PUNJAB.</u>
2	Estimated cost	Rs.23,86,700/-+ plus GST
3	Cost of Tender Documents	NIL
4	Quantum of Earnest Money Deposit(EMD)	Rs.23,900/-Drafts/BCs shall be in favor of "State Bank of India," Payable at PATIALA. "MSME/NSIC Certificates will not be accepted for exemption of EMD"
5	Date and Time where tender forms are available	From 07/04/2026 till 20/04/2026 upto 3:30 pm at www.sbi.co.in /SBI in the News procurement-news and https://www.tenderwizard.com/SBIETENDER
6	Last date and time of submission of online Tender	20/04/2026 upto 3:30 pm
7	Place, date & time for submission of e-tender Contact person /telephone no/ email address.	a) On line submission of e-Tender (Including Technical Bid and Price Bid) up to 20/04/2026 upto 3:30 pm at https://www.tenderwizard.com/SBIETENDER b) EMD submission Address: The Chief Manager(Operations) State Bank of India, Regional Business Office.-IV, SBI BUILDING,Sharan wala Gate, The Mall,Patiala.-147001 20/04/2026 upto 3:30 pm Contact Desk Officer: Mr. Sham Lal-9779585624. Mail: cmcs4.zomohali@sbi.co.in.
8	Date, Time and Place of opening of e-Tender	Online on 20/04/2026 upto 5 : 00 pm . The Chief Manager(Operations) State Bank of India, Regional Business Office.-IV, SBI BUILDING,Sharan wala Gate, The Mall,Patiala.
9	Quantum of Security Deposit(percentage)	1. Initial Security Deposit (ISD) -2% of the Tender value including EMD 2. Retention Money-5%of the running bills and Total deduction of 5% of value of work including EMD, ISD.
10	Terms of payment of Bills, if any (specify the mini-mum value of work for payment of running ac-	Minimum value of Running bill value-14 Lakhs and above

	count bills)	
11	Stipulated time for completion of the Work/supply.	60 Days from the date of the work order issued to the contractor
12	(Penalty clause)Liquidated Damages	@0.5% of the value of work per week of delay subject to a maximum penalty of 5%of the value of work would be strictly imposed.
13	Validity period of the tender.	Three(3)Months
14	Defect Liability Period	Twelve(12)Months
15	Eligible Taxes	<p>A) Income Tax & GST IT will be deducted at source as per Govt. Guidelines.</p> <p>B) Reimbursement of GST will be made only on submission of proper GST invoice as per applicable GST provision. The con-tractor should comply with the following;</p> <ol style="list-style-type: none"> 1. Contractor should have GST Registration Number 2. Invoice should specifically/separately disclose the amount of GST levied at applicable rate as per GST provision 3. In case of Correction in the bills after scrutiny, contractor should submit fresh bills for payment 4. Contractor should timely file his GST return in accordance with GST provisions to enable the bank to claim the credit of GST paid to the contractor 5. The GST Number of State Bank of India, PUNJAB State -03AAACS8577K1ZZ
16	Electronic Payment	Payment shall be made by way of Electronic fund transfer and the bill will be paid by the Branch. Firm should furnish details of the bank, a/c no, IFSC code
17	Agency for arranging on-line bidding	<p>M/s. Antares Systems Limited, Registered Office: #24, Sudha Complex, 3rd Stage, 4th Block, Bangalore-560079,Karnataka. Help Desk: 7503347659 / 9044314492/ 9073677150/ 151 / 152 /9674758506/9674758723/26 Contact Persons:(On working days 9AM to 6PM) 1.Mr.Pravesh Mani No.:+919044314492 e-Mail: praveshmani.t@antaressystems.com 2.Mr.Abhay kr singh Mobile No.:+919708966660 e-Mail:abhaykumar@antaressystems.com</p>

18	Any additional information	The quoted rate should be inclusive of materials, labour, wages, fixtures, transportation, installation, all taxes (excluding GST), wastages, Octroi, machinery, temporary works such as scaffolding, cleaning, overheads, profit, statutory expenses, incidental charges and all related expenses to complete the work
19	EVALUATION OF PRICE BIDS AND FINALIZATION	<ol style="list-style-type: none"> 1. Only those Bidders who qualify in Technical evaluation would be shortlisted and the online price bids submitted by the bidders will be opened. However these Indicative Price Bids would remain undisclosed to the Bidders. 2. The E-Tender will be either of the Estimated Amount or the Lowest Online Price Bid submitted by the Bidder. 3. The L1 Bidder will be selected on the basis of net total of the price evaluation as quoted in the Online. If the final L1 bid is unreasonably low i.e. L1 bid is less by 10% or more of the Estimated Cost, the contractor shall submit additional Security Deposit in the form of PBG/DD for an amount equal to difference in the 92.5% of the estimated cost vis-à-vis final tender amount quoted by the L1 contractor. PBG/DD to be submitted within 7 days from issue of letter from Bank. 4. If the L1 bidder refuses to give the PBG, then the EMD will be forfeited and the tender will be re-invited. The L1 bidder will not be allowed to participate in the retendering process.

1. Scanned copy of EMD must be uploaded and the same needs to be submitted at given address within due date of tender.
2. Firm can visit the website (<https://www.tenderwizard.com/SBIETENDER>) till last date of submission for changes. Corrigendum if any will be published only in <https://www.tenderwizard.com/SBIETENDER>
3. L-1 Tenderer signed copy of entire tender document should be submitted within 3 days from date of tender opening.

CHIEF MANAGER,
STATE BANK OF INDIA

INSTRUCTIONS TO TENDERERS

Online, E-tenders are invited for PROPOSED INTERIOR WORKS OF BRANCH & E-LOBBY THE STATE BANK OF INDIA, KHANAURI-50188.(PB).

1. Submission of BIDs/Tender Documents: Tenders should be submitted online in the website <https://www.tenderwizard.com/SBIETENDER>. In addition, scanned copy of the declaration given in the tender to be signed with seal and scanned proof of dealership/empanelment letter certificate should be submitted on-line with our service provider on the website at :<https://www.tenderwizard.com/SBIETENDER>.
2. Contractors should submit/send **EMD physically within due date of the tender** at the office address mentioned the in NIT document. The tender will be rejected if the tenderer fails to submit the EMD.
3. Contract documents consist of detailed plans, technical specification, schedule of quantities of the various classes of work to be done, and the set of' conditions of contract' to be compiled with by the person whose tender may be accepted. The documents are available in the website <https://www.tenderwizard.com/SBIETENDER>
4. Tenders should be submitted online (**As mentioned in NIT**).
5. **EMD amount (As mentioned in NIT)** is to be deposited in the form of Demand Draft/ Banker's Cheque payable at **PATIALA** and drawn in favor of State Bank of India, otherwise the tender is liable for rejection.
6. The successful tenderer will have to pay an amount of Initial Security Deposit, which shall be 2% of the accepted value of the tender, by means of D.D. in favor of **State Bank of India, PATIALA**. The Initial security deposit is to be paid by the Contractor to Bank within 7 days of intimation to him of the acceptance of the tender. No interest is allowed on the above said security deposit(EMD,ISD)
7. Retention Money: From each running bill, an amount at the rate of 5% of the gross value of the running bill shall be recovered as retention money, till the total retention amount including the EMD and ISD amounts already with the Bank become 5% of the value of the contract amount.
This amount is called as Total Security Deposit, which consists of three components
 - a) EMD-Earnest Money Deposit.
 - b) ISD-Initial Security Deposits.
 - c) RM-Retention Money.

The total security deposit will be kept with the Bank. And total security deposit may be refunded after the end of defects liability period (**one year**), provided he has satisfactorily carried out all the works and attended to rectification of all defects in accordance with the conditions of the contract. In case of failure on the part to do so, the cost of rectifying the defects through any other agency shall be deducted from the amount of security deposit due to the contractor.
8. Completion of work:
 - i) The work shall be considered as complete only when the certificate of virtual completion is issued by the architects/Bank.
 - ii) The defects liability period as prescribed in the contract shall commence only from date of such virtual completion.
 - iii) Any defect that may appear within the defects liability period shall be rectified

by the contractor within reasonable time on receipt of necessary instructions from Bank to that effect.

9. The acceptance of a tender will rest with the Competent Authority, who does not bind himself to accept the lowest tender and reserves to himself the authority to reject any or all the tenders received, without assigning any reasons. All tenders in which any of the prescribed conditions are not fulfilled or are in complete in any respect are liable to be rejected.
10. All compensation or other sums of money payable by the Contractor to Clients under the terms of this contract may be deducted from the security deposit, or from any sum that may be or may be come due to the Contractor on any account whatsoever and in the event of the Security Deposit being reduced by reasons of any such deductions, the Contractor shall within 7 days of being asked to do make good in by DD any sum which have been deducted from his security deposit.
11. Tender containing any condition leading to unknown/indefinite liability ,are liable to be summarily rejected.
12. Canvassing in connection with tenders is strictly prohibited and the tenders submitted by the contractors who resort to canvassing will be liable to rejection.
13. The tenderer should quote their(own) rates for undertaking the work.
14. GST as applicable will be reimbursed by Bank as specified in NIT.
15. All taxes other than GST, other statutory obligation in respect of this contract, as applicable, shall be payable by contractor including transportation and TA/DA of the workers at site and the Bank will not entertain any claim whatsoever in this respect.
16. I.T. will be recovered as per Government Rules
17. Time is the essence of the contract. The work should be completed on time as mentioned in the NIT. The successful Contractor will have to give CPM/PERT chart of various activities of works to be done so that the work gets completed within the stipulated time. The chart shall be submitted within 7 days from the date of acceptance of the tender.
18. Tenders for works shall remain open for acceptance for a period of 90 days from the last date of tenders. If the tenderer withdraws his tender before the expiry of the said period or makes any modifications in terms and condition of the tender which are not acceptable to the Bank, then the bank without prejudice to any other right or remedy is at liberty to forfeit the earnest money.
19. The successful tenderer, after the work is awarded, he will have to enter into an agreement with the competent authority of the bank.
20. The tenderer must co-ordinate with the other agencies such as Interior/Furnishing/ Electrical/IT/Fire/AC etc.
21. The tenderer should visit the site to ascertain the working conditions and local authority regulations / restrictions if any and other information required for the proper execution of the work.
22. The work may be carried out on any floor level as per site condition. Please note that materials and machines are required to be carried on head load and the same must be accounted in the costing. Please note that no separate cost shall be allowed for head load.

23. The quantities of various items given in the schedule of quantities are approximate. The quantities of work may vary at time of allotment / execution of work. Bank reserves the right to omit / delete any item(s) of work from the schedule at the time of allotment / before. Contractor will be paid for the actual work done at the site duly verified by the concerned official of the bank.
24. The unit price shall be deemed to be fixed price. In case of extra items, a record of labour charges paid shall be maintained and shall be presented regularly to the Employer's for checking. The settlement will be made based on figures arrived at jointly and taking unit price given in the contract assigned to the successful Tenderer. In case of extra items where similar or com- parable items are quoted in the tender, extra rates shall be based on tender rates.
25. If the rate quoted by the contractor for any item / items are not workable or abnormally lower than the market rate, the bank may demand Bank guarantee from the contractor for satisfactory completion of these work. The bank guarantee amount will be not less than 50% of the estimated amount of the items for which the rates are not workable or abnormally low. This bank guarantee will be released after completion of these works (unworkable and abnormally low rated items) to the satisfaction of the bank.
26. The contractor shall submit the bar chart/CPM/PERT as well as shall submit the insurance cover for the work in the form of CAR policy and Third-Party Insurance within seven (7) days from the acceptance of work order.
27. The work must be started within immediately from the date of receipt of work order/ mark out at site; whichever is later. In case of work not being started within this stipulated period, the bank reserves the right to cancel the work order duly forfeiting the Earnest money deposit
28. No employee of the Bank is allowed to work as a contractor for a period of 2 years of his/her retirement from Bank Services without previous permission of the Bank. This contract is liable to be cancelled, if either the contractor or any of his employees is any time to be such a person who had not obtained the permission of Bank as aforesaid before submission of the tender or engagement in the contractor's service.
29. Contractor should get approval of the samples of materials in advance with Bank's Engineer be-fore use of the same in the work'
30. Bank has the right to offer the contract or to modify the old material wherever/whenever necessary instead of new supplies
31. The quoted rate should be inclusive of materials, labour, wages, fixtures, transportation, installation, all taxes(excluding GST), wastages, Octroi, machinery, temporary works such as scaffolding, cleaning, overheads, profit, statutory expenses, incidental charges and all related expenses to complete the work.
32. The tenders shall summarily have rejected, if any one of the above said requirements has not been complied with.
33. The Bank will not be bound to accept the lowest tender and reserves the right to accept or reject any or all the tenders without assigning any reason whatsoever
34. The contractor should fulfill the labour regulation guidelines stipulated by the governments

35. No advance payment in any form will be granted for the works proposed
36. Period of taking up the final bill will be one month from /after satisfactory virtual completion or the date of submission of the final bill whichever is later.
37. Contractor is advised not to engage child labour during the contract period
38. The SBI reserves the right to cancel or postpone the tenders at any stage without assigning any reason.
39. Firm should be visit the website till last date of submission for changes/corrigendum if any
40. Tender documents found partly or fully modified/alterd/corrected etc. shall stand summarily rejected
41. The make of materials should be chosen strictly from the approved makes as given in the tender .Using of the multi brands is not permissible. Single brand should be used for entire project.
42. ANY CLARIFCATIONS SOUGHT AFTER OPENING OF THE TENDERS WILL NOT BE ENTERTAINED AT ANY COST.

CHIEF MANAGER,
STATE BANK OF INDIA

FORM OF SUBMISSION OF TENDER

(To be filled by the tenderer)

The Chief Manager(Operations)
State Bank of India,
Regional Business Office.-IV, SBI BUILDING,Sharan wala Gate,
The Mall,Patiala.-147001

Dear Sir/s,

REF: PROPOSED INTERIOR WORKS OF BRANCH AT SBI KHANAURI-50188 BRANCH IN PUNJAB.

I/We hereby declare that I/ We have carefully gone through the conditions laid down in the Notice Inviting Tender, General notes, General Conditions of Contract, Special conditions, Schedule of approximate quantities and rates, Form of Agreement, General Specification, Approved manufacturers/ natural source of materials Technical Specifications of schedule of quantities, and clearly understood all the same and on the basis of the same I/ We have quoted our rates in the Schedule of Quantities (i.e. BOQ) attached with the tender documents.

I / We do here by undertaken to execute and complete the whole or part of the work (as desired by you) at the respective rates quoted.

I/ We are depositing Earnest Money Deposit (Amounts as per NIT) by way of demand draft drawn in favor of **SBI, PATIALA** along with this tender for due execution of the work at my/ our tendered rates.

In the event of this Tender being accepted I/ We agree to enter into the agreement and submit the declaration on requisite non-judicial stamp papers as and when required and execute the contract according to your form of Agreement etc., in default whereof, I/ We do hereby bind my-self / ourselves to forfeit the aforesaid deposit.

In the event of this Tender being accepted I/ We agree to obtain the labor license and the CAR and Third party insurance policy and deposit the balance E.M.D. amount and adhere/comply to all other instructions as given in TENDER DOCUMENT.

I / We further agree to complete the work included in the said schedule of quantities as mentioned in NIT from the date of the work order issued to commence the same.

Date of commencement shall be either three days from the date of work order issued to the contractor or the date on which mark out of work at site has been given to contractor; whichever is later.

I/We agree not to employ sub-contractors other than those that may be approved by Employer.

I / We agree to pay all taxes(except GST), insurance charges as prevailing from time to time, on such items for whom same is to be levied by/ for the government, and the rates quoted by me / us are inclusive of all the same.

Yours Faithfully,
Contractor's Signature__
Name:
Address:

Signature of Witness:

- 1.
- 2.
- 3.

GENERAL NOTES

1. PROCEDURE OF FILLING AND SUBMISSION OF TENDER

- a) Submission of BIDs/Tender Documents: Tenders should be submitted online in the website <https://www.tenderwizard.com/SBIETENDER>. In addition, scanned copy of the declaration to be signed with seal and scanned proof of valid dealership certificate should be submitted online with our service provider on the website at :<https://www.tenderwizard.com/SBIETENDER>.
- b) In the event of the tender being submitted by a firm, it must be signed by a member or members of the firm having legal authority to do so, and if called for, the legal documents in support thereof must be produced for inspection and the same in the case of the firm carried out by one member of a joint family. It must disclose that the firm is duly registered under the India Partner-ship Act. Any tender signed by a member not holding a power of attorney shall be treated as invalid.
- c) Tenderer shall note that their tenders shall remain open for acceptance for a minimum period of three months from the last date of receipt of tenders. The tenders must be unconditional. Conditional tenders may be summarily rejected.

2. RATES TO INCLUDE:

While quoting their rates the tenderer should include the following if otherwise not stated herein be-fore.

- a) Necessary cost of taking samples of materials supplied by them for the work, testing of the same at Govt.'s / approved laboratory including transportation, cost of the samples, as and when required.
- b) Submission of test reports of other materials as may be specified by Bank's Engineer/Architect.

3. STORAGE OF MATERIALS:

The contractor shall not store their materials and debris within the premises other than the work site handed over to him.

5. LABOUR HUTMENT:

Shelter or stay and other amenities for the labors have to be arranged by the contractor at his own expense and responsibility (outside the Bank premises).

6. IDLE LABOUR:

In case the work is held up for any site conditions not attributable to the contractors or for any decisions instructions / want of details from Employer or for any of the conditions, the contractor shall be allowed reasonable extension of time by the employer but any claim for idle labour shall not be entertained by the employer. Contractor's quoted rates should include for all such contingencies.

7. The contractor shall engage one competent person at site who shall take the instructions from the Employer. The work should not suffer due to lack of supervision, man power and materials.

8. The Contractor is required to co-ordinate his works along with other agencies working at site. He has to reimburse any of the damage made by him or any of his representatives for any of the other agency or owner at site.

9. Making of any cut-out / opening for electrical wiring / fitting in any of false ceiling, partition, Paneling, masonry work etc., and providing panels of the same finish in partitions, paneling shall not be paid extra.
10. The contractor is required to fabricate a sample where required, or any item so installed for approval. Any changes made by the Architect/Employer, in the sample to the specifications as mentioned in the tender, shall not be deducted or paid extra.
11. All measurements given in the schedule hereunder are for the purpose of tender only. Payment will be made on actual measurement of the work done.
12. All measurements shall be as per relevant I.S .standards

LETTER OF UNDERTAKING (Annexure I)

(The bidders are required to print this on their company's letter head and sign, stamp before emailing)

To,
The Chief Manager(Operations)
State Bank of India,
Regional Business Office.-IV, SBI BUILDING,Sharan wala Gate,
The Mall,Patiala.-147001.
Dear Sir,

Having examined the drawings, specification, design and schedule of quantities relating to the works specified in the memorandum hereinafter set out and having visited and examined the site of the works specified in the said memorandum and having acquired the requisite information relating thereto as affecting the tender, I/We hereby offer to execute the works specified in the said memorandum at the rates mentioned in the attached Schedule of Quantities and in accordance in all respects with the specifications, design, drawings and instructions in writing referred to in conditions of tender, the Articles of Agreement, Special Conditions, Schedule of Quantities and Conditions of Contract and with such materials as are provided for by, and in all other respects in accordance with such conditions so far as they may be applicable.

MEMORANDUM

(a)	Description of work	E-TENDER FOR INTERIOR WORKS OF BRANCH & E-LOBBY AT STATE BANK OF INDIA, KHANAURI.-50188(PB.)
(b)	Earnest Money	Rs.23,900/- (Rupees Twenty three Thousand nine hundred Only) by means of Demand Draft / Pay Order (Valid for a period of completion of the work from the last date of submission of the tender) from any scheduled Nationalized Bank drawn in favour of SBI and payable in PATIALA.
(c)	Time allowed for completion of the Works from Seven day after the date of written Order or date of handing over of the site (Whichever is later) to commence the work	60 days

- 1) Should this tender be accepted, I/we here by agree to abide by and fulfill the terms and provisions of the said conditions of contract annexed hereto so far as may be applicable or in default thereof to forfeit and pay to SBI, the amount mentioned in the said contract.
- 2) I / We have deposited a sum of Rs.23,900/- (Rupees Twenty three Thousand nine hundred Only) amount is not to bear any interest . I/We fail to execute the Contract when called upon to do so I / We do hereby agree that this sum shall be forfeited by me/us to SBI.
- 3) I/ We have read and understood various clauses of this tender and hereby submit our specific undertaking and concurrence in terms clause of "Instruction to tenderer" to deposit *Additional Security Deposit (ASD)* of required amount as provided for in this

tender and within the stipulated period, in case, my/our tender is found too low (i.e. beyond 7.5% of the estimated cost) ,as a performance guarantee for due fulfillment of our contractual obligation for the project.

Further, under any circumstances, whatsoever, if I/We fail to comply the same including compliance of any such other conditions of tender within the stipulated time. I /We hereby, authorized SBI to cancel my/our tender, to forfeit my EMD/ISD/ASD and to take further necessary action as deemed fit including debarring our firm from participating in SBI future tenders/de-paneling etc.

- 4) I/ We understand that as per terms of this tender, the SBI may consider accepting our tender in part or whole or may entrust the various work proposed in phases. We, therefore, undertake that we shall not raise any claim/ compensation in the eventuality of Bank deciding to drop any of the work from the scope of work of this tender at any stage during the contract period. Further, we also undertake to execute the work entrusted to us in phases on our approved rates and within stipulated time limit without any extra claim for price escalation as also provided for in the clause of "Instructions to Tenderers" of this tender.
- 5) I/ We, hereby, also undertake that, we will not raise any claim for any escalation in the prices of any of the material during the currency of contract/execution/completion period including authorized extended contract period, if any.

6) Our Bankers are

- i)
- ii)

The names of partners of our firm are:

- i)
- ii)

Name of the partner of the firm Authorized to sign

Or

(Name of person having Power of Attorney to sign the Contract.

(Certified true copy of the Power of Attorney should be attached)

Yours faithfully,
Signature of Contractors.
Signature and addresses of Witnesses

- i)
- ii)

GENERAL CONDITIONS OF CONTRACT

1.0 Definitions: -

“Contract means the documents forming the tender and the acceptance there of and the formal agreement executed between SBI (client) and the Contractor/ Vendor, together with the documents referred there in including these conditions, the specifications, designs, drawings and instructions issued from time to time by the Bank and all these documents taken together shall be deemed to form one contract and shall be complementary to one another.

1.1 In the contract the following expressions shall, unless the context otherwise requires, have the meaning hereby respectively assigned to them.

1.1.1 “SBI” shall mean State Bank of India (Client) having its Corporate Centre at Madame Cama Road, Nariman Point, Mumbai- 400 021 and its representative Local HeadOffices/Administrative Offices/Regional Business Offices/Branches at various places across India and includes the client’s representatives, successors and assigns.

1.1.2 ‘The Contractor/ Vendor’ shall mean the individual or firm or company undertaking the works and shall include legal personal representative of individual or composing the firm or company and the permitted assignees of individual or firms of company.

1.1.3 The expression ‘works’ or ‘work’ shall mean the permanent or temporary work description in the “Scope of work” and / or to be executed in accordance with the contract includes materials, apparatus, equipment, temporary supports, fittings and things of kinds to be provided, the obligations of the Contractor/ Vendor hereunder and work to be done by the Contractor/ Vendor under the contract.

1.1.4 Engineer’ shall mean the representative Civil / Electrical Engineer of the SBI

1.1.5 ‘Drawings’ shall mean the drawings prepared and issued by SBI or their Architects and referred to in the specifications and any modifications of such drawings as may be issued by the Engineer from time to time.

1.1.6 ‘Contract value shall mean value of the entire work as stipulated in the letter of acceptance of tender subject such additions thereto or deductions there from as may be made under the provide herein after contained.

1.1.7 Specifications’ shall mean the specifications referred to in the tender and modifications thereof as may time to time be furnished or approved by the SBI

1.1.8 “Month” means calendar month.

1.1.9 “Week” means seven consecutive days.

1.1.10 “Day” means a calendar day beginning and ending at 00 Hrs. and 24 Hrs. respectively.

1.1.11 SBI's Engineer" shall mean The Civil / Electrical Engineer in - charge of the Project.

2.0 CLAUSE

1.0 Total Security Deposit: The Total Security deposit comprise of

- a) Earnest Money Deposit
- b) Initial security deposit
- c) Retention Money

a) Earnest Money Deposit -

The tenderer shall furnish EMD of **Rs.23,900/- (Rupees Twenty three Thousand nine hundred Only)** in the form of Demand draft drawn in favor of SBI on any Scheduled Bank. No tender shall be considered unless the EMD is deposited in the required form.

- No interest shall be paid on this EMD. The EMD of the unsuccessful tenderer shall be refunded soon after the decision to award the contract is taken without interest.
- The EMD shall stand absolutely forfeited if the tenderer revokes his tender at any time the period when he is required to keep his tender open acceptance by the SBI or after it is accepted by the SBI. the Contractor/ Vendor fails to enter into a formal agreement or fails to pay the initial security deposit as stipulated or fails to commence the commence the work within the stipulated time.

b) Initial Security Deposit (ISD)

The amount of ISD shall be 2% of accepted value of tender (In the instant case, the cumulative contract awarded value of including the EMD in the form of DD drawn on any scheduled Bank. The DD shall be deposited within 7 days from the date of acceptance of tender.

c) Retention Money: -

An amount @ 5% of the bill amount will be retained by the SBI from the bills and the same will be released by the SBI against Bank guarantee for equal amount issued by any Nationalised /Scheduled Bank in the SBI's approved format valid for 1 year. The Bank guarantee shall be released only after completion of warranty period of 1 year provided no complaint is received in the office chairs or the defects has been rectified by replacing the same satisfactorily.

The successful bidder may choose to submit such Bank Guarantee to the SBI soon after commencement of work to avoid deduction of retention money from the Bills. No advance on materials / plant / machinery or mobilization advance shall be paid in any circumstances.

2.0 Language

The language in which the contract documents shall be drawn shall be in English.

2.0 Errors, Omissions and discrepancies

In case of errors, omissions and/ or disagreement between written and scaled dimensions on the drawings or between the drawings and specifications etc., the following order shall apply.

- i) Between scaled and written dimension (or description) on a drawing, the latter shall be adopted.
- ii) Between the written or shown description or dimensions in the drawings and the corresponding one in the specification the former shall be taken as correct.
- iii) Between written description of the item in the specifications and descriptions in bills of quantities of the same item, the former shall be adopted:
 - a) In case of difference between rates written in figures and words, the rate in words shall prevail.
 - b) Between the duplicate / subsequent copies of the tender, the original tender shall be taken as correct.

4.0 Scope of Work:

The Contractor/ Vendor shall carry out, complete and maintain the said work in every respect strictly accordance with this contract and with the directions of and to the satisfaction of the Bank to be communicated through SBI. The SBI at the direction of the Bank from time to time issue further drawings and / or written instructions, detailed directions and explanations which are hereafter collectively referred to as instructions in regard to the variation or modification of the design, quality or quantity of any work or the addition or omission or substitution work. Any discrepancy in the drawings or between BOQ and / or drawings and / or specifications should be brought to the notice of SBI immediately. The removal from the site of any material brought thereon by the Contractor/ Vendor and any substitution of any other materials therefore the removal and / or re-executed of any work executed by him. The dismissal from the work of any person engaged thereupon.

5.0 i) Letter of Acceptance:

Within the validity period of the tender the SBI shall issue a letter of acceptance directly by registered post or otherwise depositing at the office of the Contractor/ Vendor as given in the tender to enter into a Contract for the execution of the work as per the terms of the tender. The letter of acceptance shall constitute a binding contract between the SBI and the Contractor/ Vendor.

ii) Contract Agreement:

On receipt of intimation of the acceptance of tender from the SBI. The successful tenderer shall be bound to implement the contract and within 15 days there of shall sign an agreement in a non-judicial stamp paper of appropriate value.

6.0 Ownership of drawings:

All drawings, specifications and copies thereof furnished by the SBI are the properties of the SBI. They are not to be used on other work.

7.0 Detailed drawings and instructions:

The SBI shall furnish with reasonable proper additional instructions by means of drawings or otherwise necessary for the execution of the work. All such drawings and instructions shall be consistent with contract documents, true developments thereof and reasonably inferable there.

The work shall be executed in conformity therewith and the Contractor/ Vendor prepare a detailed program schedule indicating therein the date of start and completion of various activities on receipt of the work order and submit the same to the SBI through the architect/consultant

7.0 Copies of agreement

Two copies of agreement duly signed by both the parties with the drawings shall be handed over to the Contractor/ Vendors.

8.0 Liquidated damages:

If the Contractor/ Vendor fails to maintain the required progress in terms of relevant clause under General Conditions of Contract (GCC) or to complete the work and clear the site including vacating their office on or before the contracted or extended date or completion, without justification in support of the cause of delay, he may be called upon without prejudice to any other right of remedy available under the law to the SBI on account of such breach to pay a liquidated damage at the rate of 0.50% of the contract value subject to a maximum of 5% of the contract value.

9.0 Materials, Appliances and Employees

Unless or otherwise specified the Contractor/ Vendor shall provide and pay for all materials, labour, water, power, tools, equipment transportation and any other facilities that are required for the satisfactory execution and completion of the work. Unless or otherwise specified all materials shall be new and both workmanship and materials shall be best quality. The Contractor/ Vendor shall at all times enforce strict discipline and good order among his employees and shall not employ on the work any unfit person or anyone not skilled in the work assigned to him. Workman whose work or behavior is found to be unsatisfactory by the SBI he shall be removed from the site immediately.

10.0 Permits, Laws and Regulations:

Permits and licenses required for the execution of the work shall be obtained by the Contractor/ Vendor at his own expenses. The Contractor/ Vendor shall give notices and comply with the regulations, laws, and ordinances rules, applicable to the contract. If the Contractor/ Vendor observes any discrepancy between the drawings and specifications, he shall promptly notify the SBI in writing. If the Contractor/ Vendor performs any act, which is against the law, rules and regulations he shall meet all the costs arising there from and shall

indemnify the SBI any legal actions arising there from.

11.0 Setting out Work:

The Contractor/ Vendor shall set out the work and shall be responsible for the true and perfect setting out of the same and for the correctness of the positions, levels, dimensions, and alignment of all parts thereof and get it approved by the SBI before proceeding with the work. If at any time any error in this respect shall appear during the progress of the works, irrespective of the fact that the layout had been approved by SBI, the Contractor/ Vendor shall be responsible for the same and shall his own expenses rectify such error, if so, required to satisfaction of the SBI.

12.0 Protection of works and property:

The Contractor/ Vendor shall continuously maintain adequate protection of all his work from damage and shall protect the SBI's properties from injury or loss arising in connection with contract. He shall make good any such damage, injury, loss, except due to causes beyond his control and due to his fault or negligence.

He shall take adequate care and steps for protection of the adjacent properties. The Contractor/ Vendor shall take all precautions for safety and protections of his employees on the works and shall comply with all applicable provisions of Govt. and local bodies' safety laws and building codes to prevent accidents, or injuries to persons or property on about or adjacent to his place of work. The Contractor/ Vendor shall take insurance covers as per clause 24.0 at his own cost. The policy may be taken in joint names of the Contractor/ Vendor and the SBI and the original policy may be lodged with the SBI.

13.0 Inspection of work:

The SBI or their representatives shall at all reasonable times have free access to the work site and / or to the workshop, factories, or other places where materials are lying or from where they are obtained and the Contractor/ Vendor shall give every facility to the SBI and their representatives necessary for inspection and examination and test of the materials and workmanship. No person unless authorized by the SBI except the representative of Public authorities shall be allowed on the work at any time. The proposed work either during its construction stage or its completion can also be inspected by the Chief Technical Examiner's Organization a wing of Central Vigilance commission.

14.0 Assignment and subletting

The whole of work included in the contract shall be executed the Contractor/ Vendor and he shall not directly entrust and engage or indirectly transfer, assign or underlet the contract or any part or share thereof or interest therein without the written consent of the SBI and no undertaking shall relieve the Contractor/ Vendor from the responsibility of the Contractor/ Vendor from active & superintendence of the work during its progress.

15.0 Quality of materials, workmanship & Test

All materials and workmanship shall be best of the respective kinds as described in the contract/BOQ and in accordance with SBI's instructions and shall be subject from time to time to such tests as the SBI. may direct at the place of manufacture or fabrication or on the

site or an approved testing laboratory. The Contractor/ Vendor shall provide such assistance, instruments, machinery, labor, and materials as are normally required for examining measuring sampling and testing any material or part of work before incorporation in the work for testing as may be selected and required by the SBI.

ii) Samples

All samples of adequate numbers, size, shades & pattern as per specifications shall be supplied by the Contractor/ Vendor without any extra charges. If certain items proposed to be used are of such nature that samples cannot be presented or prepared at the site detailed literature / test certificate of the same shall be provided to the satisfaction of the SBI. Before submitting the sample / literature the Contractor/ Vendor shall satisfy himself that the material/ Equipment for which he is submitting the sample / literature meet with the requirement of tender specifications. Only when the samples are approved in writing by SBI the Contractor/ Vendor shall proceed with the procurement and installation of the particular material / equipment. The approved samples shall be signed by SBI for identification and shall be kept on record at site office until the completion of the work for inspection / comparison at any time. SBI shall take reasonable time to approve the sample. Any delay that might occur in approving the samples for reasons of its not meeting the specifications or other discrepancies inadequacy in ELECTRICAL samples of best qualities from various manufacturers and such other aspects causing delay on the approval of the materials / equipment etc. shall be to the account of the Contractor/ Vendor.

iii) Cost of tests

The cost of making any test shall be borne by the Contractor/ Vendor if such test is intended by or provided for in the specification or BOQ.

16.0 Obtaining information related to execution of work

No claim by the Contractor/ Vendor for additional payment shall be entertained which is consequent upon failure on his part to obtain correct information as to any matter affecting the execution of the work nor any misunderstanding or the obtaining incorrect information or the failure to obtain correct information relieve him from any risks or from the entire responsibility for the fulfillment of contract.

17.0 Contractor/ Vendor's superintendence

The Contractor/ Vendor shall give necessary personal superintendence during the execution the works and as long, thereafter, as the SBI may consider necessary until the expiry of the defects liability period, stated here to.

18.0 Quantities

The bill of quantities (BOQ) unless or otherwise stated shall be deemed to have been prepared in accordance with the Indian Standard Method of Measurements and quantities. The rate quoted shall remain valid for variation of quantity against individual item to any extent.

19.0 Works to be measured

SBI may from time to time intimate to the Contractor/ Vendor that the work is required to be measured and the Contractor/ Vendor shall forthwith attend or send a qualified

representative to assist the SBI in taking such measurements and calculation and to furnish all particulars or to give all assistance required by any of them. Such measurements shall be taken in accordance with the Mode of measurements detail in the specifications. The representative of SBI shall take measurements with the Contractor/ Vendor's representative and the measurements shall be entered in the measurement book. The Contractor/ Vendor or his authorized representative shall sign all the pages of the measurement book in which the measurements have been recorded in token of his acceptance. All the corrections shall be duly attested by both representatives. No over writings shall be made in the Measurement book should the Contractor/ Vendor not attend or neglect or omit to depute his representative to take measurements the measurements recorded by the representative of the SBI shall be final. All authorized extra work, omissions and all variations made shall be included such measurement.

20.0 Variations

No alteration, omission or variation ordered in writing by SBI vitiates the contract. In case the SBI thinks proper at any stage during the progress of works to make any alteration in, or additions to or omission from the works or any. alteration in the kind or quality of the materials to be used therein, the SBI shall give notice thereof in writing to the Contractor/ Vendor shall confirm in writing within seven days of giving such oral instructions the contract shall alter to, add to, or omit from as the case may be in accordance with such notice but the Contractor/ Vendor shall not do any work extra to or make any alterations or additions to or omissions from the works or any deviation from any of the provisions of the contract, stipulations, specifications or contract drawings without previous consent in writing of the SBI and the value of such extras, alterations, additions or omissions shall in all cases be determined by the SBI and the same shall be added to or deducted from the contract value, as the case may be.

21.0 Valuation of Variations

No claim for an extra Item shall be allowed unless it shall have been executed under the authority of the SBI with the concurrence of the SBI as herein mentioned. Any such extra is herein referred to as authorized extra and shall be made in accordance with the following provisions.

- a)
 - (i) The net rates or prices in the contract shall determine the valuation of the extra work where such extra work is of similar character and executed under similar conditions as the work priced herein.
 - (ii) Rates for all items, wherever possible should be derived out of the rates given in the priced BOQ.
- b) The net prices of the original tender shall determine the value of the items omitted, provided if omissions do not vary the conditions under which any remaining items of Works are carried out, otherwise the prices for the same shall be valued under subClause 'c' hereunder.
- c) Where the extra works are not of similar character and/or executed under similar conditions as aforesaid or where the omissions vary the conditions under which any remaining items or works are carried out, then the Contractor/ Vendor shall within 7 days of the receipt of the letter of acceptance inform the SBI of the rate which he intends to charge for such items of work, duly supported by analysis of the rate or rates claimed and the SBI shall fix such rate or prices as in the circumstances in its opinion are reasonable and proper, based on the market rate.

- d) Where extra work cannot be properly measured or valued the Contractor/ Vendor shall be allowed day work prices at the net rates stated in the tender, of the BOQ or, if not, so stated then in accordance with the local day work rates and wages for the district; provided that in either case, vouchers specifying the daily time (and if required by the SBI) the workman's name and materials employed be delivered for verifications to the Architect /consultant at or before the end of the week following that in which the work has been executed.
- e) It is further clarified that for all such authorized extra items where rates cannot be derived from the tender, the Contractor/ Vendor shall submit rates duly supported by rate analysis worked on the 'market rate basis for material, labour hire / running charges of equipment and wastages etc. plus 15% towards establishment charges, Contractor/ Vendor's overheads and profit. Such items shall, not be eligible for escalation.

22.0 Final measurement

The measurement and valuation in respect of the contract shall be completed within one months of the virtual completion of the work.

23.0 Virtual Completion Certificate (VCC)

On successful completion of entire works covered by the contract to the full satisfaction of the SBI, the Contractor/ Vendor shall apply to SBI for completion certificate.

Upon the satisfactory fulfillment by the Contractor/ Vendor as stated above, the Contractor/ Vendor is entitled to apply to the SBI of satisfactory completion of work. Relative to which the completion certificate has been sought, the SBI shall within fourteen (14) days of the receipt of the application for completion certificate, issue a VCC in respect of the work for which the VCC has applied.

This issuance of a VCC shall not be without prejudice to the SBI's rights and Contractor/ Vendor liabilities under the contract including the Contractor/ Vendor's liability for defects liability nor shall the issuance of VCC in respect of the works or work at any site be construction as a waiver of any right or claim of the SBI against the Contractor/ Vendor in respect of or work at the site and in respect of which the VCC has been issued.

24.0 Insurance of works

24.1 Without limiting his obligations and responsibilities under the contract the Contractor/ Vendor shall insure in the joint names of the SBI and the Contractor/ Vendor against all loss of damages from whatever cause arising other than the excepted risks, for which he is responsible under the terms of contract and in such a manner that the SBI and Contractor/ Vendor are covered for the period stipulated in clause 28 of GCC and are also covered during the period of maintenance for loss or damage arising from a cause, occurring prior to the commencement of the period of maintenance and for any loss or damage occasioned by the Contractor/ Vendor in the course of any operations carried out by him for the purpose of complying with his obligations under clause.

- a) The Works for the time being executed to the estimated current Contract value thereof, or such additional sum as may be specified together with the materials for incorporation in the works at their replacement value.
- b) Such insurance shall be affected with an insurer and in terms approved by the SBI which approval shall not be unreasonably withheld and the Contractor/ Vendor shall whenever have required produce to the SBI the policy of insurance and the receipts for payment of the current premiums.

25.0 Damage to persons and property

The Contractor/ Vendor shall, except if and so far as the contract provides otherwise indemnify the SBI against all losses and claims in respect of injuries or damages to any person or material or physical damage to any property whatsoever which may arise out of or in consequence of the execution and maintenance of the works and against all claims proceedings, damages, costs, charges and expenses whatsoever in respect of or in relation thereto except any compensation of damages for or with respect to:

- a) The permanent use or occupation of land by or any part thereof.
- b) The right of SBI to execute the works or any part thereof on, over, under, in or through anylands.

- c) Injuries or damages to persons or properties which are unavoidable result of the execution or maintenance of the works in accordance with the contract
- d) Injuries or damage to persons or property resulting from any act or neglect of the SBI their agents, employees or other Contractor/ Vendors not being employed by the Contractor/ Vendor or for or in respect of any claims, proceedings, damages, costs, charges and expenses in respect thereof or in relation thereto or where the injury or damage was contributed to by the Contractor/ Vendor, his servants or agents such part of the compensation as may be just and equitable having regard to the extent of the responsibility of the SBI, their employees, or agents or other employees, or agents or other Contractor/ Vendors for the damage or injury.

26.0 Contractor/ Vendor to indemnify SBI

The Contractor/ Vendor shall indemnify the SBI against all claims, proceedings, damages, costs, charges and expenses in respect of the matters referred to in the provision sub-clause 25 of this clause.

27.0 Contractor/ Vendor's superintendence

The Contractor/ Vendor shall fully indemnify and keep indemnified the SBI. against any action, claim, or proceeding relating to infringement or use of any patent or design or any alleged patent or design rights and shall pay any royalties which may be payable in respect of any article or part thereof included in the contract. In the event of any claim made under or action brought against SBI. in respect of such matters as aforesaid the Contractor/ Vendor shall be immediately notified thereof and the Contractor/ Vendor shall be at liberty, at his own expenses to settle any dispute or to conduct any litigation that may arise there from, provided that the Contractor/ Vendor shall not be liable to indemnify the SBI. if the infringement of the patent or design or any alleged patent or design right is the direct result of an order passed by the SBI in this behalf.

28.0 Third Party Insurance

28.1 Before commencing the execution of the work the Contractor/ Vendor but without limiting his obligations and responsibilities under clause 24.0 of GCC shall insure against his liability for any material or physical damage, loss, or injury which may occur to any property including that of SBI., or to any person, including any employee of the SBI, by or arising out of the execution of the works or in the carrying out of the contract, otherwise than due to the matters referred to in the provision to clause 24.0 thereof.

28.2 Minimum amount of Third Party Insurance

Such insurance shall be affected with an insurer and in terms approved by the SBI whose approval shall not be reasonably withheld and for at least the amount stated below. The Contractor/ Vendor shall, whenever required, produce to the SBI the policy or policies of insurance cover and receipts for payment of the current premiums.

The minimum insurance cover for physical property, injury, and death is Rs.5 Lakh per occurrence with the number of occurrences limited to four. After each occurrence Contractor/ Vendor will pay additional premium necessary to make insurance valid for four occurrences always.

29.0 Accident or Injury to workman:

- i. The SBI shall not be liable for or in respect of any damages or compensation payable at law in respect or in consequence of any accident or injury to any workmen or other person in the employment of the Contractor/ Vendor or any sub-Contractor/ Vendor, save and except an accident or injury resulting from any act or default of the SBI or their agents, or employees. The Contractor/ Vendor shall indemnify and keep indemnified SBI against all such damages and compensation, save and except as aforesaid, and against all claims, proceedings, costs, charges and expenses whatsoever in respect thereof or in relation thereto.

- ii. Insurance against accidents etc. to workmen

The Contractor/ Vendor shall insure against such liability with an insurer approved by the SBI during the whole of the time that any persons are employed by him on the works and shall, when required, produce to the architect / consultant such policy of insurance and receipt for payment of the current premium. Provided always that, in respect of any persons employed by any sub Contractor/ Vendor the Contractor/ Vendor's obligation to insure as aforesaid under this sub-clause shall be satisfied if the sub-Contractor/ Vendor shall have insured against the liability in respect of such persons in such manner that SBI is indemnified under the policy but the shall require such sub-Vendor to produce to the SBI when such policy of insurance and the receipt for the payment of the current premium.

- iii. Remedy on Contractor/ Vendor's failure to insure

If the Contractor/ Vendor fails to effect and keep in force the insurance referred to above or any other insurance which he may be required to effect under the terms of contract, then and in any such case the SBI may effect and keep in force any such insurance and pay such premium or premiums as may be necessary for that purpose and from time to time deduct the amount so paid by the SBI as aforesaid from any amount due or which may become due to the Contractor/ Vendor or recover the same as debt from the Contractor/ Vendor.

- iv. Without prejudice to the others rights of the SBI against Contractor/ Vendors. In respect of such default, the employer shall be entitled to deduct from any sums payable to the Contractor/ Vendor the amount of any damages costs, charges and other expenses paid by the SBI and which are payable by the Contractor/ Vendors under this clause. The Contractor/ Vendor shall upon settlement by the Insurer of any claim made against the insurer pursuant to a policy taken under this clause, proceed with due diligence to rebuild or repair the works destroyed or damaged. In this event all the monies received from the Insurer in respect of such damage shall be paid to the Contractor/ Vendor and the Contractor/ Vendor shall not be entitled to any further payment in respect of the

expenditure incurred for rebuilding or repairing of the materials or goods destroyed or damaged.

30.0 Commencement of Works:

The date of commencement of the work will be reckoned as the date of execution of agreement with SBI or possession of site which ever is later.

31.0 Time for completion

Time is essence of the contract and shall be strictly observed by the Contractor/ Vendor. The entire work shall be completed within a period of **60 Days** from the date of commencement.

32.0 Extension of time

If, the work be delayed for reasons beyond the control of the Contractor/ Vendor, the Contractor/ Vendor may submit a recommendation to the SBI to grant a fair and reasonable extension of time for completion of work as per the terms of contract. If the Contractor/ Vendor needs an extension of time for the completion of work or if the completion of work is likely to be delayed for any reasons beyond the due date of completion as stipulated in the contract, the Contractor/ Vendor shall apply to the SBI. in writing at least 30 Days before the expiry of the scheduled time and while applying for extension of time he shall furnish the reason in detail and his justification if any, for the delays in the prescribed format for granting extension of time. While granting extension of time the Contractor/ Vendor shall be informed the period extended time which will qualify for levy of liquidated damages. For the balance period in excess of original stipulated period and duly sanctioned extension of time by the provision of liquidated damages as stated under clause 8.0 shall become applicable. Further the contract shall remain in force even for the period beyond the due date of completion irrespective whether the extension is granted or not.

33.0 Rate of progress

Whole of the materials, plant and labour to be provided by the Contractor/ Vendor and the mode, manner and speed of execution and maintenance of the works are to be of a kind and conducted in a manner to the satisfaction of the SBI. Should the rate of progress of the work or any part thereof be at any time be in the opinion the SBI too Slow to ensure the completion of the whole of the work the prescribed time or extended time for completion, the SBI shall thereupon take such steps as considered necessary to expedite progress so as to complete the works by the prescribed time or extended time. Such communications from the SBI neither shall relieve the Contractor/ Vendor from fulfilling obligations under the contract nor will he be entitled to raise any claims arising out of such directions.

34.0 Work during nights and holidays

Subject to any provision to the contrary contained in the contract no permanent work shall, as herein provided, be carried on during the night or on holidays without the permission in writing of the SBI, except when the work is unavoidable or absolutely necessary for the

saving of life or property or for the safety of the work in which case the Contractor/ Contractor/ Vendor shall immediately advise the SBI. However, the provisions of the clause shall not be applicable in the case of any work which becomes essential to carry by rotary or double shifts in order to achieve the progress and quality of the part of the works being technically required / continued with the prior approval of the SBI at no extra cost.

All work at night after obtaining approval from competent authorities of SBI shall be carried out without unreasonable noise and disturbance.

35.0 No compensation or restrictions of work

If at any time after acceptance of the tender, SBI shall decide to abandon or reduce the scope of work for any reason whatsoever and hence not required the whole or any part of the work to be carried out. SBI shall give notice in writing to that effect to the Contractor/ Vendor and the Contractor/ Vendor shall act accordingly in the matter. The Contractor/ Vendor shall have no claim to any payment of compensation or otherwise whatsoever on account of any profit or advantage which he might have derived from the execution of the Work fully but which he did not derive in consequence of the foreclosure of the whole or part of the work.

Provided that the Vendor shall be paid the charges on the cartage of only materials actually and bona-fide brought to the site of the work by the Contractor/ Vendor and rendered surplus as a result of the abandonment, curtailment of the work or any portion thereof and then taken back by the Vendor, provided however that the SBI shall have in such cases the option of taking over all or any such materials at their purchase price or a local current rate whichever is less.

"In case of such stores having been issued from SBI stores and returned by the Vendor to stores, credit shall be given to him at the rates not exceeding those at which were originally issued to the Vendor after taking into consideration and deduction for claims on account of any deterioration or damage while in the custody of the Contractor/ Vendor and in this respect the decision of Architect / consultant shall be final.

36.0 Suspension of work

- i) The Contractor/ Vendor shall, on receipt of the order in writing of SBI (whose decision shall be final and binding on the Contractor/ Vendor) suspend the progress of works or any part thereof for such time and in such manner as SBI may consider necessary so as not to cause any damage or injury to the work already done or endanger the safety thereof for any of following reasons:
 - a) On account any default on the part of the Contractor/ Vendor, or
 - b) For proper execution of the works or part thereof for reasons other than the default the Vendor/ Contractor, or
 - c) For safety of the works or part thereof.

The Contractor / Vendor shall, during such suspension, properly protect and secure the works the extent necessary and carry out the instructions given in that behalf by the SBI.

- ii) If the suspension is ordered for reasons (b) and (c) in sub-para (i) above:

The Contractor/ Vendor shall be entitled to an extension of time equal to the period of every such suspension. No compensation whatsoever shall be paid on this account.

37.0 Action when the whole security deposit is forfeited

In any case in which under any clause or clauses of this contract, the Contractor/ Vendor shall have rendered himself liable to pay compensation amounting to the whole of his security deposit the SBI shall have the power to adopt any of the following course as they may deem best suited to the interest of the SBI:

- a) To rescind the contract (of which rescission notice in writing to the Contractor/ Vendor by SBI shall be conclusive evidence) and in which case the security, deposit of the Contractor/ Vendor shall be forfeited and be absolutely at the disposal of SBI
- b) To employ labour paid by the SBI and to supply materials to carry out the work, or part of the work, debiting the Contractor/ Vendor with the cost of the labour and materials cost of such labour and materials (as worked out by the SBI shall final and conclusive against the Contractor/ Vendor) and crediting him with the value of the work done, in all respects in the same manner and at the same manner and at the same rates as if it had been carried out by the Contractor/ Vendor under the terms of this contract certificate of SBI as to the value of work done shall be final conclusive against the Contractor/ Vendor.
- c) To measure up the work of the Contractor/ Vendor, and to take such part thereof as shall be unexecuted, out of his hands, and to give it to another Contractor/ Vendor to complete, in which case any expenses which may be incurred in excess of the sum which would have been paid to the original Contractor/ Vendor, if the whole work had been executed by him (The amount of which excess the certificates in writing of the SBI shall final and conclusive) shall be borne by original Contractor/ Vendor and may be deducted if any money due to him by SBI under the contract or otherwise, or from his security deposit or the proceeds of sale thereof, or sufficient part thereof.

In the event of any of above courses being adopted by the SBI the Contractor/ Vendor shall have no claim to compensation for any loss sustained by him by reasons of his having purchased or procured any material or entered into any engagements or make any advances on account of, or with a view to the execution of the work or the performance of the contract and in case the contract shall be rescind under the provision aforesaid, the Contractor/ Vendor shall not be entitled to recover or to be paid any sum or any work thereto for actually performed under this contract, unless, and until SBI will have certified in writing the performance of such work and the value payable in respect thereof, and he shall only be entitled to be paid the value so certified.

38.0 Owner's right to terminate the contract

If the Contractor/ Vendor being an individual or a firm commit any 'Act of insolvency' or shall be adjusted an insolvent or being an incorporated company shall have an order for

compulsory winding up voluntarily or subject to the supervision of Govt. and of the Official Assignee of the liquidator in such acts of insolvency or winding up shall be unable within seven days after notice to him to do so, to show to the reasonable satisfaction of the SBI that he is able to carry out and fulfill the contract, and to dye security therefore if so required by the SBI

Or if the Contractor/ Vendor (whether an individual firm or incorporated Company) shall suffer execution to be issued or shall suffer any payment under this contract to be attached by or on behalf of any of the creditors of the Contractor/ Vendor.

Or shall assign or sublet this contract without the consent in writing of the SBI or shall charge or encumber this contract or any payment due to which may become due to the Contractor/ Vendor there under:

- a) has abandoned the contract; or
- b) has failed to commence the works or has without any lawful excuse under these conditions suspended the progress of the works for 14 days after receiving from the SBI written notice to proceed, or
- c) *has failed to proceed with the works with such diligence and failed to make such due progress as would enable the works to be completed within the time agreed upon, or has failed to remove the materials from the site or to pull down and replace work within seven days after written notice from the SBI that the said materials were condemned and rejected by the SBI under these conditions; or has neglected or failed persistently to observe and perform all or any of the acts matters or things by this contract to be observed and performed by the contractor for seven days after written notice shall have been given to the Contractor/ Vendor to observe or perform the same or has to the detriment of good workmanship or in defiance of the SBI to the contrary subject any part of the contract.*

Then and in any of said cases the SBI may notwithstanding any previous waiver, after giving seven days' notice in writing to the Contractor/ Vendor, determine the contract, but without thereby affecting the powers of the SBI or the obligation and liabilities of the Contractor/ Vendor the whole of which shall continue in force as fully as if the contract had not been determined and as if the works subsequently had been executed by or on behalf of the Contractor/ Vendor. And, further the SBI or their employees may enter upon and take possession of the work and all plants, tools, scaffoldings, materials, sheds, machineries lying upon the premises or on the adjoining lands or roads use the same by means of their own employees or workmen in carrying on and completing the work or by engaging any other Contractor/ Vendors or persons to the work and the Contractor/ Vendor shall not in any way interrupt or do any act, matter or thing to prevent or hinder such other Contractor/ Vendor or other persons employed for complement and finishing or using the materials and plant for the works.

When the works shall be completed or as soon thereafter as convenient to the SBI a notice in writing will be given to the Contractor/ Vendor to remove his surplus materials and plants and should the Contractor/ Vendor fail to do so within 14 days after receive thereof by him the SBI sell the same by public auction, and after due publication, and shall, adjust the amount

realized by such auction. The Contractor/ Vendor shall have no right to question any of the act of the SBI incidental to the sale of the materials etc.

39.0 Certificate of payment

The contractor shall be entitled under the certificates to be issued by the Architect / consultant to the contractor within 10 working days from the date of certificate to payment from SBI from time to time. The SBI shall recover the statutory recovering other dues including the retention amount from the certificate of payment.

Provided always that the issue of any certificate by the Architect / consultant during progress of works or completion shall not have effect as certificate of satisfaction relieve the contractor from his liability under clause.

The Architect / consultant shall have power to withhold the certificate if the work or in part thereof is not carried out to their satisfaction.

The Architect / consultant may by any certificate make any corrections required previous certificate.

The SBI shall modify the certificate of payment as issued by the architect / consultant from time to time while making the payment

The contractor shall not submit interim bills.

The final bill may be submitted by contractor within a period of one month from the date of virtual completion and Architect / consultant shall issue the certificate of payment within a period of two months. The SBI shall pay the amount within a period of three months from the date of issue of certificate provided there is no dispute in respect of rates and quantities.

The contractor shall not submit interim bills.

No advance on materials / plant / machinery or mobilization advance shall be paid in any circumstances.

The SBI shall recover the statutory recoveries viz. TDS, retention and other dues, if any, as per contractual provisions.

The SBI shall have power to withhold the payment if the work or part thereof is not carried out to their satisfaction.

40.0 A. Settlement of Disputes and Arbitration

Except where otherwise provided in the contract all questions and disputes to the meaning of the specifications, design, drawings and instructions herein before mentioned and as to the quality of workmanship or materials used on the work or as to any other question , claim, right, matter or thing whatsoever in any way arising out

of or relating to the contract, designs, drawings specifications, estimates, instructions orders or these conditions or otherwise concerning the work or the execution or failure to execute the same whether arising during the progress of the work or after the cancellation, termination, completion or abandonment thereof shall be dealt with as mentioned hereinafter:

- i) If the contractor considers that he is entitled to any extra payment or compensation in respect of the works over and above the amounts admitted as payable by the Architect or in case the contractor wants to dispute the validity of any deductions or recoveries made or proposed to be made from the contract or raise any dispute, the Contractor shall forthwith give notice in writing of his claim, or dispute to the Regional Manager and endorse a copy of the same to the Architect, within 30 days from the date of disallowance thereof or the date of deduction or recovery. The said notice shall give full particulars of the claim, grounds on which it is based and detailed calculations of the amount claimed and the contractor shall not be entitled to raise any claim nor shall the Bank be in any way liable in respect of any claim by the contractor unless notice of such claim shall have been given by the contractor to the Regional Manager in the manner and within the time as aforesaid. The contractor shall be deemed to have waived and extinguished all his rights in respect of any claim not notified to Regional Manager in writing in the manner and within the time aforesaid.

B. Settlement of Disputes and Arbitration

The DGM(B&O) shall give his decision in writing on the claims notified by the receipt of the contractor may within 30 days of the receipt of the decision of the DGM (B&O) Submit his claims to the conciliating authority.

- i) If the conciliation proceedings are terminated without settlement of the disputes, the contractor shall, within a period of 30 days of termination thereof shall give a notice to the concerned DGM (B&O) of the SBI for appointment of an arbitrator to adjudicate the notified claims falling which the claims of the contractor shall be deemed to have been considered absolutely barred and waived.
- ii) Except where the decision has become final, binding and conclusive in terms of the contract, all disputes or differences arising out of the notified claims of the contractor as aforesaid and all claims of the SBI shall be referred for adjudication through arbitration by the Sole Arbitrator appointed by the DGM(B&O). It will also be no objection to any such appointment that the Arbitrator so appointed is a SBI Officer and that he had to deal with the matters to which the Contract relates in the course of his duties as SBI. If the arbitrator so appointed is unable or unwilling to act or resigns his appointment or vacates his office due to any reason whatsoever another sole arbitrator shall be appointed in the manner aforesaid by the said DGM (B&O) of the SBI. Such person shall be entitled to proceed with the reference from the stage at which it was let by his predecessor.

It is a term of this contract that the party invoking arbitration shall give a list of disputes with amounts claimed in respect of each dispute along with the notice for appointment of arbitrator.

It is also a term of this contract that no person other than a person appointed by such Chief General Manager as aforesaid should act as arbitrator.

The conciliation and arbitration shall be conducted in accordance with the provisions of the Arbitration & Conciliation Act 1996 or any or any accordance modification or reenactment thereof and the rules made there under.

It is also a term of the contract that if any fees are payable to the Arbitrator these shall be paid equally by both the parties. However, no fees will be payable to the arbitrator if he is a SBI Officer.

It is also a term of the contract that the Arbitrator shall be deemed to have entered on the reference on the date he issues notice to both the parties calling them to submit their statement of claims and counter statement of claims. The venue of the arbitration shall be such place as may be fixed by the arbitrator in his sole discretion. The fees, if any of the arbitrators shall, if required to be paid before the award is made and published, be paid half and half by each of the parties. The Cost of the reference and of the award (including the fees, if any of the arbitrator) shall be in the discretion of the arbitrator who may direct to any by whom and in what manner, such costs or any part thereof, shall be paid and fix or settle the amount of costs to be so paid.

41.0 Method of measurement

Unless otherwise mentioned in the schedule of quantities or in mode of measurement, the measurement will be on the net quantities or work produced in accordance with up to date rules laid down by the Bureau of Indian Standards. In the event any dispute / disagreement the decision of the SBI shall be final and binding on the corrector.

42.0 Maintenance of registers

The contractor shall maintain the following registers as per the enclosed perform at site of work and should produce the same for inspection of STATE BANK OF INDIA /Architect / consultant whenever desired by them. The contractor shall also maintain the records / registers as required by the local authorities / Govt. from time to time.

- i) Register for secured advance
- ii) Register for hindrance to work
- iii) Register for running account bill
- iv) Register for labour

43.0 Force Majeure

43.1 Neither Contractor/ Vendor nor SBI shall be considered in default in performance of the obligations if such performance is prevented or delayed by events such as but not war, hostilities revolution, riots, civil commotion, strikes, lockout, conflagrations, epidemics, accidents, fire, storms, floods, droughts, earthquakes or ordinances or any act of or for any other cause beyond the reasonable control of the party affected or prevents or delayed.

However, a notice is required to be given within 30 days from the happening of the event with complete details, to the other party to the contract.

- 43.2 As soon as the cause of force majeure has been removed the party whose ability perform its obligations has been affected, shall notify the other of such cessation and the actual delay incurred in such affected activity adducing necessary evidence in support thereof.
- 43.3 From the date of occurrence of a case of force majeure obligations of the party affected shall be suspended during the continuance of any inability so caused. With the caused itself and inability resulting there from having been removed, the agreed time completion of the respective obligations under this agreement shall stand extended a period equal to the period of delay occasioned by such events.
- 43.4 Should one or both parties be prevented from fulfilling the contractual obligations by state of force majeure lasting to a period of 6 months or more the two parties, shall mutually decide regarding the future execution of this agreement.

44.0 Local laws, Acts Regulations:

The Contractor/ Vendor shall strictly adhere to all prevailing labour laws including the contract labour (regulation and abolition act of 1970) and other safety regulations. The Contractor/ Vendors should comply with the provision of all labour legislation including the latest requirements of the Acts, laws, any other regulations that are applicable to the execution of the project.

45.0 Accidents

The Contractor/ Vendor shall immediately on occurrence of any accident at or about the site or in connection with the execution of the work report such accident to the architect / consultant. The Contractor/ Vendor shall also such report immediately to the competent authority whenever such report is required to be lodged by the law and take appropriate actions thereof.

46.0 The contractor's shall be bound to comply the following provision in terms of "Restrictions imposed by the Government of India, Ministry of Finance Department of Expenditure under Rule 144 (XI) of General Financial Rules 2017 vide their order no. F. No 6/18/2019/PPD dated 23rd July 2020" as under;

- I. Any bidder from a country which shares a land border with India will be eligible to bid in this tender ONLY if the bidder is registered with the Competent Authority (registration committee constituted by the Department for Promotion of Industry and Internal Trade).
- II. 'Bidder' (including the term 'tenderer', 'consultant' or 'service provider' in certain contexts) means any person or firm or company, including any member of a consortium or joint venture (that is an association of several persons, or firms or companies), every artificial judicial person not falling in any of the descriptions of bidders stated hereinbefore, including any agency branch or office controlled by such person, participating in a procurement process.

- III. 'Bidder from a country which shares a land border with India (such a country)' for this purpose means:
- a. An entity incorporated, established or registered in such a country; or
 - b. A subsidiary of an entity incorporated, established or registered in such a country; or
 - c. An entity substantially controlled through entities incorporated, established or registered in such a country; or
 - d. An entity whose beneficial owner is situated in such a country; or
 - e. An Indian (or other) agent of such an entity; or
 - f. A natural person who is a citizen of such a country; or
 - g. A consortium or joint venture where any member of the consortium or joint venture falls under any of the above
- IV. The beneficial owner for the purpose of (iii) above will be as under:
1. In case of A Company or Limited Liability Partnership, the beneficial owner is the natural person(s), who, whether acting alone or together, or through one or more judicial person, has a controlling interest or who exercises control through other means.
Explanation-
 - a. "Controlling ownership interest" means ownership of or entitlement to more than twenty-five percent of shares or capital or profits of the company;
 - b. "Control" shall include the right to appoint majority of the directors or to control the management or policy decisions including by virtue of their shareholding or management rights or shareholders agreements or voting agreements;
 2. In case of a partnership firm, the beneficial owner is the natural person(s) who, whether acting alone or together, or through one or more judicial person, has ownership of entitlement to more than fifteen percent of capital or profits of the partnership;
 3. In case of an unincorporated association or body of Individuals, the beneficial owner is the natural person(s), who, whether acting alone or together, or through one or more judicial person, has ownership of or entitlement to more than fifteen percent of the property or the capital or profits of such association or body of individuals;
 4. Where no natural person is identified under (1) or (2) or (3) above, the beneficial owner is the relevant natural person who holds the position of senior managing official;
 5. In case of a trust, the identification of beneficial owner(s) shall include identification of the author of the trust, the trustee, the beneficiaries with fifteen percent or more interest in the trust and any other natural person exercising ultimate effective control over the trust through a chain of control or ownership.
- V. An Agent is a person to do any act for another, or to represent another in dealings with third person.
- VI. The successful bidder shall not be allowed to sub-contract works to any contractor from a country which shares a land border with India unless such contractor is registered with the Competent Authority.
- VII. All bidders need to submit a declaration-cum-certificate (along with evidence) in this regard as per "Annexure Q". Failure to submit such valid declaration-cum-Certificate will make the bid liable for rejection."

SPECIAL CONDITION OF CONTRACT

1. The Technical Bid should contain the following: -

- a. Technical Bid duly signed and sealed on each page.
- b. Banker's Cheque/Demand Draft of Earnest Money deposit.
- c. If any, The Authorization Certificate issued by the Bank's approved Principal Manufacturer only certifying that the tenderer is an Authorized Converter/Agency of their Company and they have been specifically authorized by them (i.e. OEM) to participate in the bidding process of SBI.
- d. If any, An undertaking from the Bank's approved OEM, in original, to the effect that in case their Authorised Agency/Converter is not able to perform contractual obligations for the project during the contract period, the Original Manufacturer shall own full responsibility to comply all contractual obligations relating the captioned work of SBI at their own (i.e. OEM's) risk cost and consequences.

The technical bid not accompanied by above mentioned any one or more documents shall be treated as non-responsive bid and the same shall be summarily disqualified.

2. Taxes, duties, levies etc.:

The rates quoted shall be inclusive of all taxes, duties, levies, royalties, fees, cess or charges in respect of the works but excluding GST which shall be payable over and above the approved rates as per actual. Variation of taxes, duties, fees, levies etc. (excluding GST) if any, till completion of work shall be deemed to be included in the quoted rates and no extra claim on this account in any case will be entertained. If a new tax or duty or levy or cess or royalty or octroi is imposed under as statutory law during the currency of contract the same shall be borne by the Contractor/ Vendor. GST will however be paid by the SBI as applicable.

3. The Contractor/ Vendor shall study the schedule of items, technical specifications, drawings, design, etc. for its sufficiency considering all the regulations of local authorities and supply company and code of standard as applicable at the time of submitting the tender and shall bring to the notice of bank, addition or deletion, if any, in writing before due date of submission of tender.

4. Acceptance of tender

The SBI shall have the right to reject any or all tenders without assigning any reason. They are not to bind to accept the lowest or any tender and the tenderer or tenderers shall have no right to question the acts of the SBI However adequate transparency would be maintained by the SBI.

5. Dimensions and levels

All dimensions and levels shown on the drawings shall be verified by the contractor and the site and he will be held responsible for the accuracy and maintenance of. All the dimensions and the levels. Figured dimensions are in all cases to be accepted and dimension shall be scaled. Large scale details shall take precedence over small scale drawings. In case of discrepancy the contractor shall ask for clarification from the Architect / consultant before proceeding with the work.

6. Notice of operation

The contractor shall not carry out any important operation without the Consent in with from the Architect / consultant:

7. Construction records

The contractor shall keep and provide to the Architect / consultant full and accurate records of the dimensions and positions of all new work and any other information necessary to prepare complete drawings recording details of the work as construction.

8. Safety of adjacent structures and trees

The contractor shall provide and erect to the approval of the Architect / consultant supports as may be required to protect effectively all structures and protective give to trees, which may be endangered by the execution of the works or otherwise such permanent measures as may be required by the Architect to protect the tree structures.

9. Temporary works

Before any temporary works are commenced the contractor shall submit at least in advance to the architect / consultant for approval complete drawings of all temporary works he may require for the execution of the works. The contractor shall carry out the modifications relating to strength, if required by the architect / consultant may require in accordance with the conditions of contract at his own cost the contractor shall be solely responsible for the stability and safety of all temporary works and unfinished works and for the quality of the permanent works resulting from the arrangement eventually adopted for their execution.

10. Water power and other facilities

- a) The rate quoted by the contractor shall include all expenses that are required for providing all the water required for the work and the contractor shall make his own arrangements for the supply of good quality water suitable for the construction and good quality drinking water for their workers If necessary the contractor has to sink a tube well / open well and bring water by means of tankers at his own cost for the purpose The STATE BANK OF INDIA will not be liable to pay any charges in connection with the above
- b) The rate quoted in the tender shall include the expenses for obtaining and maintaining power connections and shall pay for the consumption charges
- c) The contractors for other trades directly appointed by the STATE BANK OF INDIA shall be entitled to take power and water connections from the temporary water and power supply obtained by the contractor However, the concerned contractor shall make their own arrangements to draw the supply and pay directly the actual consumption charges at mutually agreed rates between them. All municipal charges for drainage and water connection for Construction purposes shall be borne by the contactor and charges payable for permanent connections, if any, shall be initially paid by the contactor and the SBI will reimburse the amount on production of receipts

- d) The SBI as well as the Architect / consultant shall give all possible assistance to the Contractor's to obtain the requisite Permission from the various authorities, but the responsibility for obtaining the same in time shall be of the contractor

11. Facilities for contractor's employees

The contractor shall make his own arrangement for the housing and welfare of his staff and workmen including adequate drinking water facilities. The contractor shall also make the arrangements at his own cost for transport where necessary for his staff and workmen to and from site of work at his own cost.

12. Lighting of works

The contractor shall at all times provide adequate and approved lighting as required for the proper execution and supervision and inspection of work.

13. Firefighting arrangements

i) The contractor shall provide suitable arrangement for firefighting at his own cost. This purpose he shall provide requisite number of fire extinguishers and adequate number of buckets, some of which are to be always kept filled with sand and some with water this equipment shall be provided at suitable prominent and easily accessible place and shall be properly maintained.

ii) Any deficiency in the fire safety or unsafe conditions shall be corrected by the contractor at his own cost and, to the approval of the relevant authorities. The contractor makes the following arrangements at his own cost but not limited the following:

- a) Proper handling, storage and disposal of combustible materials and waste.
- b) Work operations which can create fire hazards.
- c) Access for fire-fighting equipment.
- d) Type, number and location of containers for the removal of surplus materials and rubbish.
- e) Type, size, number and location of fire extinguishers or other fire fighting equipment.
- f) General house keeping

14. Site order book

A site order book shall be maintained at site for the purpose of quick communication between the Architect / Consultant. Any communication relating to the work may be conveyed through records in the site order book. Such a communication from one party to the other shall be deemed to have been adequately served in terms of contract Each site order book shall have machine numbered pages in triplicate and shall carefully maintained and preserved by the contractor and shall be made available to the architect / consultant as and when demanded- Any instruction which the architect / consultant may like to issue to the contractor or the contractor may like to bring to the architect / consultant two copies of such instructions shall

be taken from the site order book and one copy will be handed over to the party against proper acknowledgment and the second copy will be retained for their record.

15. Temporary fencing/ barricading

The contractor shall provide and maintain a suitable temporary fencing / barricading and gates at his cost to adequately enclose all boundaries of the site for the protection of the public and for the proper execution and security of the work and in accordance with the requirement of the architect / consultant and regulations of local authorities. These shall be altered, relocated and adopted from time to time as necessary and removed on completion of the work.

16. Site meetings

Site meetings will be held to review the progress and quality evaluation. The contractor shall depute a senior representative along with the site representative and other staff of approved sub-contractors and suppliers as required to the site meetings and ensure all follow up actions. Any additional review meetings shall be held if required by the architect/ consultant.

-

17. Disposal of refuse

The contractor shall cart away all debris, refuse etc. arising from the work from the site and deposit the same as directed by the architect / consultant at his own cost. It is the responsibility of the contractor to obtain from the local authorities concerned to the effect that all rubbish arising out of contractor's activities at the construction site or any other off-site activities borrow pits has been properly disposed off.

18. Contractor to verify site measurement

The contractor shall check and verify all site measurements whenever requested other specialists contractors or other sub-contractors to enable them to prepare the own shop drawing and pass on the information with sufficient promptness as will in any way delay the works.

19. Displaying the name of the work

The contractor shall put up a name board of suitable size as directed by the architect/ consultant indicating therein the name of the project and other details as given by the architect/consultant at his own cost and remove the same on completion of work.

20. As built drawings

- i) For the drawings issued to the contractor by the Architect / Consultant. The architect Consultant will issue two sets of drawings to the Contractor for the items for some changes have been made. From the approved drawings as instructed by the STATE BANK OF INDIA / Architect / Consultant. The contractor will make the changes made on these copies and return these copies to the architect / Consultant for their approval. In cases revision is required or the corrections are not properly marked the architect / Consultant will point out

the discrepancies to the contractor. The contractor will have to incorporated these corrections and / or attend to discrepancies either on copies as directed by the architect / consultant and resubmit to him for approval. The architect / consultant will return one copy duly approved by him.

ii) For the drawings prepared by the contractor

The contractor will modify the drawing prepared by him wherever the changes made by the STATE BANK OF INDIA / architect / consultant. And submit two copies of such modified drawings to the architect/ consultant for approval. The architect / consultant will return one copy of the approved drawing to the contractor.

21. Approved make

The contractor shall provide all materials from the list of approved makes at his own cost and also appoint the specialized agency for the waterproofing anti-termite, aluminum doors and windows and any other item as specified in the tender. The architect/consultant may approve any make / agency within the approved list as given in the tender after inspection of the sample/mock up.

22. Procurement of materials

The contractor shall make his own arrangements to procure all the required materials for the work. All wastages and losses in weight shall be to the contractors account

23. Excise duty, taxes, levies etc.;

The contractor shall pay and be responsible for payment of all taxes, duties, levies, royalties, fees, cess or charges in respect of the works including but not limited to sales tax, tax on works contract excise duty, and octroi, payable in respect of materials, equipment plant and other things required for the contract. All of the aforesaid taxes, duties, levies, fees and charges shall be to the contractor's account and the STATE BANK OF INDIA shall not be required to pay any additional or extra amount on this account. Variation of taxes, duties, fees, levies etc. if any, till completion of work shall be deemed to be included in the quoted rates and no extra amount on this account. Variation of taxes, duties, fees, levies etc. if any, till completion of work shall be deemed to be included in the quoted rates and no extra claim on this account will in any case be entertained. If a new tax or duty or levy or cess or royalty or octroi is imposed under as statutory law during the currency of contract the same shall be borne by the contractor.

24. Photographs:

- The Contractor shall at his own expense supply to the Architects with duplicate hard copies of large photographs not less than 25 cm. x 20 cm. (10" x 8") of the works, taken from two approved portions of each building/premises/branch, at intervals of not more than 2 days during the progress of the work or at every important stage of construction and in case of all hidden items.
- In addition to above, the contractor shall be bound to submit adequate no. of site photographs along with each Running Bill for the project clearing showing major progress of work measured and claimed therein failing which the Architect/ STATE BANK OF INDIA may consider returning the Bill to the contractor and no claim for delay on this account will be entertained.

ARTICLES OF AGREEMENT

(On non-judicial Stamp Paper of Rs. 500/- or as per latest Govt. Rules)

ARTICLES OF AGREEMENT made the _____ date of _____ between STATE BANK OF INDIA, having its office at Mumbai hereinafter called "the Client" of the One Part and

WHEREAS the STATE BANK OF INDIA is desirous of

_____ and has caused specifications describing the work to be done to be prepared by STATE BANK OF INDIA.

AND WHEREAS the said Drawings numbered _____ to _____ inclusive, the Specifications and the Schedule of Quantities have been signed by or on behalf of the parties hereto.

AND WHEREAS the Contractor has agreed to execute upon and subject to the Conditions set forth herein and to the Conditions set forth herein in the Special Conditions and in the Schedule of Quantities and Conditions of Contract (all of which are collectively hereinafter referred to as "the said conditions") the works shown upon the said Drawings and / or described in the said Specifications and included in the Schedule of Quantities at the respective rates therein set forth amounting to the sum as therein arrived at our such other sum as shall become payable there under (hereinafter referred to as "the said Contract Amount.)

NOW IT IS HEREBY AGREED AS FOLLOWS:

- 1) In consideration of the said Contract Amount to be paid at the times and in the manner set forth in the said Conditions, the Contractor shall upon and subject to the said Conditions execute and complete the work shown upon the said Drawings and described in the said Specifications and the priced Schedule of Quantities.
- 2) The Employer shall pay to the Contractor the said Contract Amount, or such other sum as shall become payable, at the times and in the manner specified in the said Conditions.
- 3) The term "The Architects" in the said Conditions shall mean the STATE BANK OF INDIA, or in the event of their ceasing to be the Architects for the purpose of this Contract for whatever reason, such other person or persons as shall be nominated for that purpose by the Employer, not being a person to whom the Contractor shall object for reasons considered to be sufficient by the Employer, PROVIDED ALWAYS that no person or persons subsequently appointed to be Architects under this Contract shall be entitled to disregard or overrule any previous decisions or approval or direction given or expressed in writing by the outgoing Architects for the time being.
- 4) The said Conditions and Appendix thereto shall be read and construed as forming part of this Agreement, and the parties hereto shall respectively abide by submit themselves to the said Conditions and perform the Agreements on their part respectively in the said Conditions contained.
- 5) The Plans, Agreements and Documents mentioned herein shall form the basis of this Contract.
- 6) This Contract is neither a fixed lump-sum contract nor a piece work contract but a contract to carry out the work in respect of the entire building complex to be paid for according to actual measured quantities

at the rates contained in the Schedule of Quantities and Rates or as provided in the said Conditions.

- 7) The Contractor shall afford every reasonable facility for the carrying out of all works relating to CIVIL WORKS, installation of lifts, Telephone, electrical installations, fittings air conditioning and other ancillary works in the manner laid down in the said Conditions, and shall make good any damages done to walls, floors, etc. after the completion of his work.
- 8) The STATE BANK OF INDIA reserves to itself the right of altering the drawings and nature of the work by adding to or omitting any items of work or having portions of the same carried out without prejudice to this Contract.
- 9) Time shall be considered as the essence of this Contract and the Contractor hereby agrees to commence the work soon after the Site is handed over to him or from 14th day after the date of issue of formal work order as provided for in the said Conditions whichever is later and to complete the entire work within **60 days** subject to nevertheless the provisions for extension of time.
- 10) All payments by the SBI under this Contract will be made only at Mumbai.
- 11) All disputes arising out of or in any way connected with this Agreement shall be deemed to have arisen at Mumbai and only the Courts in Mumbai shall have jurisdiction to determine the same.
- 12) That the several parts of this Contract have been read by the Contractor and fully understood by the Contractor.

IN WITNESS WHEREOF THE EMPLOYER and the Contractor have set their respective hands to these presents and two duplicates hereof the day and year first hereinafter written.

SIGNATURE CLAUSE

SIGNED AND DELIVERED by the

_____ By the
(Employer)

hand of Shri _____

(Name and Designation)

(Signature of Employer)

In the presence of :

1) Shri / Smt. _____

(Signature of Witness)

Address _____

(Witness) _____

SIGNED AND DELIVERED by the

_____ by the
(Contractor)

(Signature of Contractors)

in the presence of :

Shri / Smt. _____

(Signature of Witness)

Address _____

(Witness)

SAFETY CODE

1. First aid appliances including adequate supply of sterilized dressing and cotton wool shall be kept in a readily accessible place.
2. An injured person shall be taken to a public hospital without loss of time, in cases when the injury necessitates hospitalization.
3. Suitable and strong scaffolds should be provided for workmen for all works that cannot safely be done from the ground.
4. No portable single ladder shall be over 8 meters in length. The width between the side rails shall not be less than 30 cm. (clear) and the distance between two adjacent running shall not be more than 30 cm. When a ladder is used an extra Mazdoor shall be engaged for holding ladder.
5. The excavated material shall not be placed within 1.5 meters of the edge of the trench half of the depth of trench whichever is more. All trenches and excavations shall be provided with necessary fencing and lighting.
6. Every opening in the floor of a building or in a working platform be provided with suitable means to prevent the fall of persons or materials by providing suitable fencing or railing whose minimum height shall be one meter.
7. No floor, roof or other part of the structure shall be so overloaded with debris or material as to render it unsafe.
8. Workers employed on mixing and handling material such as asphalt, cement, mortar, concrete and lime shall be provided with protective footwear and rubber hand gloves.
9. Those engaged in welding works shall be provided with welders' protective eye shield and gloves.
10. (i) No paint containing lead or lead products shall be used except in the form of paste ready made paint.
(ii) Suitable facemasks should be supplied for use by the workers when the paint applied in the form of spray or surface having lead paint dry rubbed and scrapped.
11. Overalls shall be supplied by the contractor to the painters and adequate facilities shall be provided to enable the working painters to wash during cessation of work.
12. Hoisting machines and tackle used in the works including their attachments anchor and supports shall be in perfect condition.
13. The ropes used in hoisting or lowering material or as a means of suspension shall be durable quality and adequate strength and free from defects.

TABLE-I

PROFORMA FOR HINDRANCE TO WORK

Name of Work :

Date of Start of work :

Name of Contractor :

Period of Completion :

Agreement No.:

Dt. of Completion of work :

S.No.	Nature of Hindrance	Date of Occurrence of Hindrance	Date of which Hindrance was removed	Period of which Hindrance existed	Signature of Site Engineer	Signature of Bank / Architects Representative
1	2	3	4	5	6	7

TABLE-II
PROFORMA FOR RUNNING A/C BILL

- i. Name of Contractor/Agency :
 ii. Name of Work :
 iii. S.No. of this Bill :
 iv. No. & Date of previous Bill :
 v. Reference to Agreement No. :
 vi. Date of Written order to commence :
 vii. Date of Completion as per Agreement:

S.No.	Item Description	Unit	Rate (Rs.)	As per Tender	
				Quantity	Amount (Rs.)
1	2	3	4	5	

Upto Previous R.A. Bill		Up Date (Gross		Present Bill		Remarks
Quantity	Amount (Rs.)	Quantity	Amount (Rs.)	Quantity	Amount (Rs.)	
6		7		8		9

Note: 1. If part rate is allowed for any items, it should be indicated with reasons for allowing such a rate since previous bill

2. If ad-hoc payment is made, it should be mentioned specifically.

 Net Value

CERTIFICATE

The measurements on the basis of which the above entries for the
Running Bill No. ----- were made have been taken jointly on -----

_____ and are recorded at pages _____ to _____ of measurement book No. _____
_____.

.....

Signature and date of
Contractor

.....

Signature and
date of Architects
Representative
(Seal)

.....

Signature and date of
Site Engineer

The work recorded in the above-mentioned measurements has been done at the site satisfactorily as per
tender drawings, conditions and specifications.

.....

Architect

.....

Signature and
Date of Site Engineer

TABLE-III
MEMORANDUM FOR PAYMENT

R/A BILL NO.

1.	Total value of work done since previous bill (A)	Rs.-----
2.	Total amount of secured advance due since Previous Bill (B)	Rs.-----
3.	Total amount due since Previous Bill (C) (A+B)	Rs.-----
4.	PVA on account of declaration in price	Rs.-----
5.	of Steel, Cement and other materials and labour as detailed in separate statements enclosed.	
	Total amount due to the Contractor	Rs.-----

OBJECTIONS:

i)	Secured Advance paid in the previous	Rs.----- R/A
ii)	Retention money on value of works astenders up to date amount Rs.	Rs.----- per accepted
	Less already recovered	Rs.-----
	Balance to be recovered	Rs.-----
iii)	Mobilization Advance, if any	
(a)	Outstanding amount (principal + interest) as on date	Rs.-----
(b)	To be recovered in this bill	Rs.-----
iii.	Any other Department all materials cost to be recovered as per contract, if any	Rs.-----
iv.	Any other Departmental service charges to be recovered if any, as per contract (water, power etc.) enclose statement.	Rs.-----
	Total Deduction as per contract (F)	Rs.-----

Adjustments, if any-----Rs -- Amount less received by Contractor in
----- R/A Bill (as per statement of Contractor)
P.V.A. Rs. --
Total amount payable as per contract (E+F+G)Rs. -----
(Rupees in words)

The bill amount to Rs (both figures and words) has been scrutinized by us after due checking of the measurements of work as required and is recommended for payment.

Date:

Signature of Architect with Seal

The bill amount to Rs certified by Consultants has been scrutinized by me after due test checking of measurements of works as required and is recommended for payment for an amount of Rs.....

Date:..... Signature of Owners Engineer

STATUTORY DEDUCTION:

i)	Total Amount due(E)	Rs.-----	
ii)	Less I.T .Payable	Rs.-----	
iii)	Less S.T. Payable	Rs.-----	
	Net Payable		Rs.-----

This figures given in the Memorandum for payable has been verified and bill passed for payment.....(in words and figures)

Date:

.....
Signature of the Competent Officer

**RECOMMENDED MAKE TO BE USED FOR THE INTERIOR WORKS OF BRANCH & E-LOBBY AT
STATE BANK OF INDIA, KHANAURI-50188.(PB) .**

S.N O	DESCRIPTION	MAKE/BRANDS
1.	Plywood (M R Grade)	Green Ply, Century Ply Wood ,Kit ply, Archid ply, Amulya ply.
2.	Laminates	Greenlam,Aica,Merrino,Archid,Decolam,Formica,Amulya .
3.	Lipping & Moulding	Teak Wood/Steam Beach Wood
4.	4 mm thick Vinear	Timex/Furn&Lam/Green
5.	HDHMR Board	Green ,Archid, Kitlam,Action Tasa,Century
6.	Adhesive	For Wood- Fevicol SH,Vemicol-HV., For Glass & Granite - Araldite, For Lacquered Glass - Silicon (Dow)
7.	Locks	Godrej/Harrison/Ebco/ Hettich,Vision .
8.	Night Latch	Godrej./Harrison
9.	Glass	Modi / Triveni / Saint Gobain/Asahi/Glaverbel.
10.	ALUMINUM SECTION	JINDAL,INDAL, HINDALCO.
11.	Aluminum Cladding	Eurobond / Altobond / Alukbond.
12.	Suspended Ceiling & sections	INDIA GYPSUM, Saint Gobain,USC,Boral,Dexune.
13.	Mineral Fiber / Grid Tile & sections	Armstrong including their suspensions
14.	Door Closer & Floor Spring.	Godrej/Ozone/ Dorma/Yale/Hafele.
15.	Paint	Nerolac / ICI Dulux./ Asian/Berger.
16.	Wood Preservative	Bison by British Paints / Termiseal by ICI/Sirca Paints.
17.	Wood	Well Season partal / Gumar / Badam/kail.
18.	Drawer Channel	EARL BIHARI,Ebco, Vision,Hassle.
19.	Screw	Nettle fold, Ozone, Dorma,Self
20.	Key Board Drawer	EBCO, EARL BIHARI.
21.	Telescopic CPU Stand /Trolley	EBCO, EARL BIHARI.
22.	Cable Organiser	EBCO

23.	Polyurethan foam	Dunlop
24.	Texture paint	Asian/Spectrum / Heritage/British paint/Kilurk Nixon.
25.	Venetian / Vertical Blinds	Vista Levelor / Mac. / Hounter Douglas
26.	Glass.	JK/MODI/ASAHI/SAINT GOBIN /TRIVENI.(Approved Shade only).
27.	Tapestry / leather form	Harmony, Vimal, Bhor.
28.	Vinyl Film / Frosted / Printed film	3 M
29.	Patch Fitting & Floor Spring for fixing frame	Dorma / Godrej/Ozone
30.	Ball Catch	Magetic (M-2) / Brass or equivalent.
31.	Cement	ACC / J.K/Ultratech/Ambuja.
32.	Vitrified and wall tiles	Nitco /Johnson /Kajaria/RAK.
33.	Sanitary Ware	Hindware /Cera/ Parryware / Jaquar
34.	CP Fittings	Jaquar/ Hindware
35.	G.I Pipes	TATA/Jindal
36.	G.I Fittings	Unik
37.	UPVC Pipes	Astral/Diplast/Ashirwad/finolax
38.	Flush Doors	Duro/Green/Century
39.	white Corian acrylic stone	LG / Samsung / Gravia / Granimum.

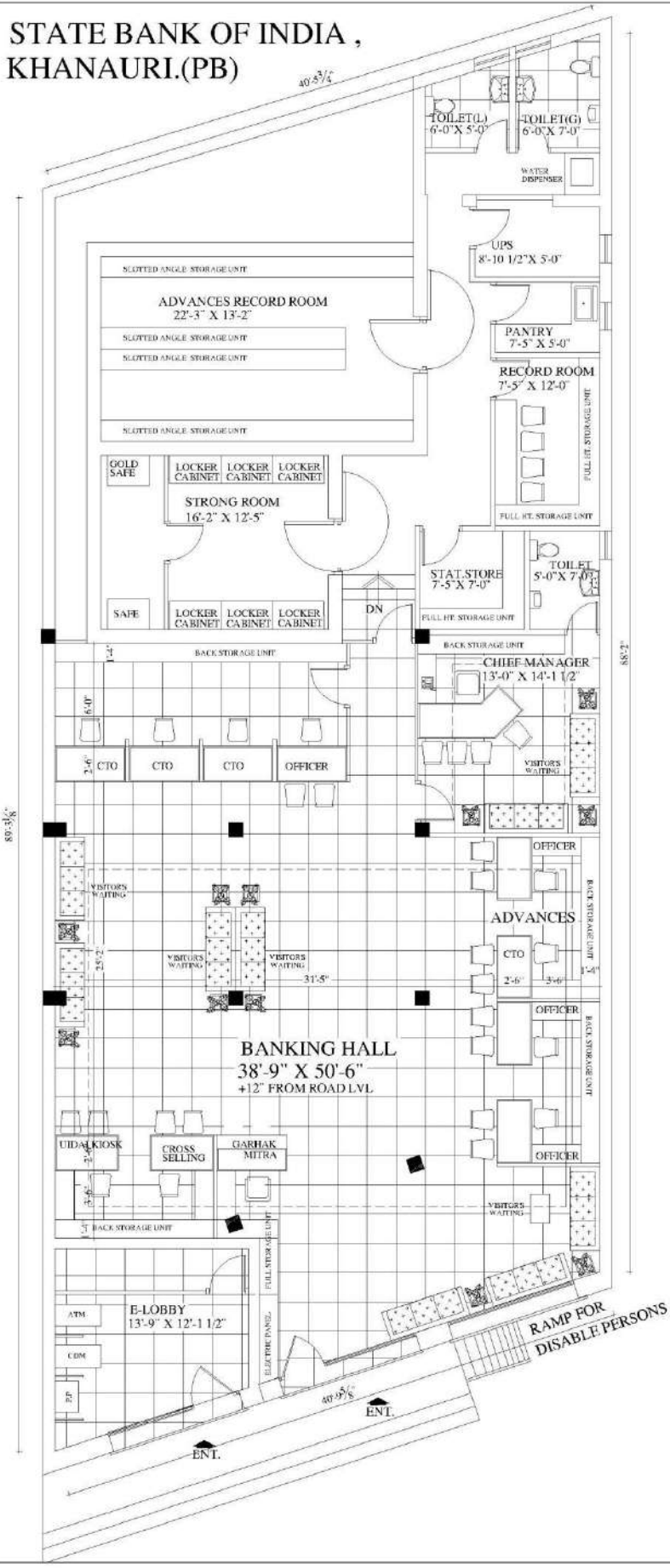
Note:-

1. Samples of all items shall be got approved from the Architect / Engineer in charge before use.
2. Work will be carried out as per tender specifications / drawings and instructions of Architect / Bank's Engineer.
3. Work shall be done as per CPWD / tender specifications / drawings & instructions of Architect / Bank's Engineer & material shall be of the make as mentioned above & of ISI mark.
4. Bank may ask for the bills / cash memo of various items purchased by the Contractor from the market, for its satisfaction.
5. All other Materials shall be best quality heavy section mentioned in the bill of quantities and also approved by Architect / Bank's Engineer.

If any material is found to be not up to the mark, the contractor will have to produce original bills/certificate from the manufacturer or his authorized Distributor for authenticity and genuineness of the material for consideration and as per make approved by the STATE BANK OF INDIA. The same will not be considered for payment.

STATE BANK OF INDIA ,
KHANAURI.(PB)

W-1



PROPOSED INTERIOR FOR
STATE BANK OF INDIA
KHANAURI.(PB).

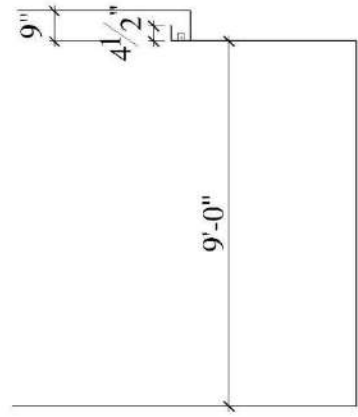
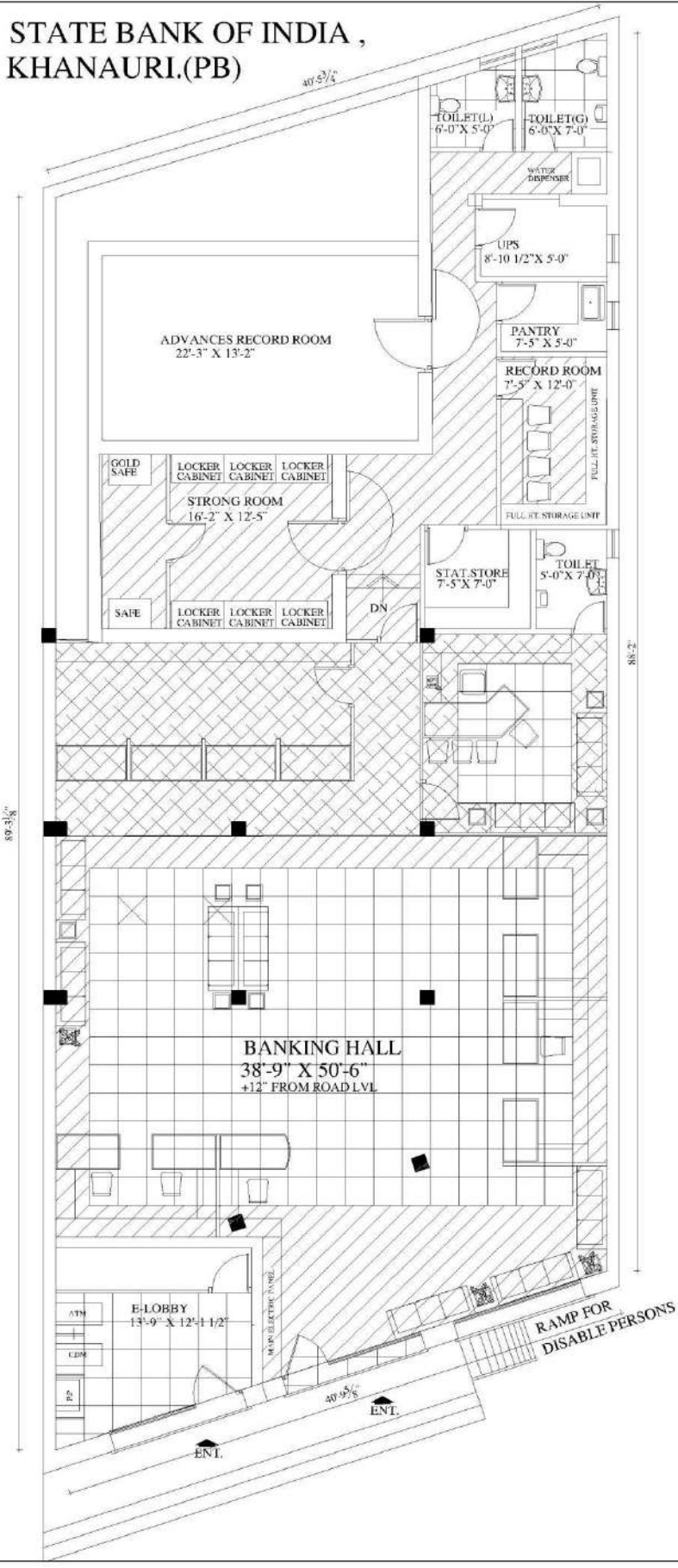
GROUND FLOOR PLAN

AAKAAR ASSOCIATES
ARCHITECTS, ENGINEERS,
INTERIOR DESIGNERS
S.C.O. 783 SECOND FLOOR,
SECTOR-3/D, CHANDIGARH
Tel. 0173 2601951/0
911295055, 887285110(M)

REV.	DESCRIPTION	DATE
JOB NO. .1198	DRG. NO. W-1	
SCALE: 1"=1'-0"		DATE:-
NAME	SIGN.	
DRN BY PARDEEP		
CHKD BY		
APRD BY NEERAJ		

**STATE BANK OF INDIA ,
KHANAURI.(PB)**

W-2

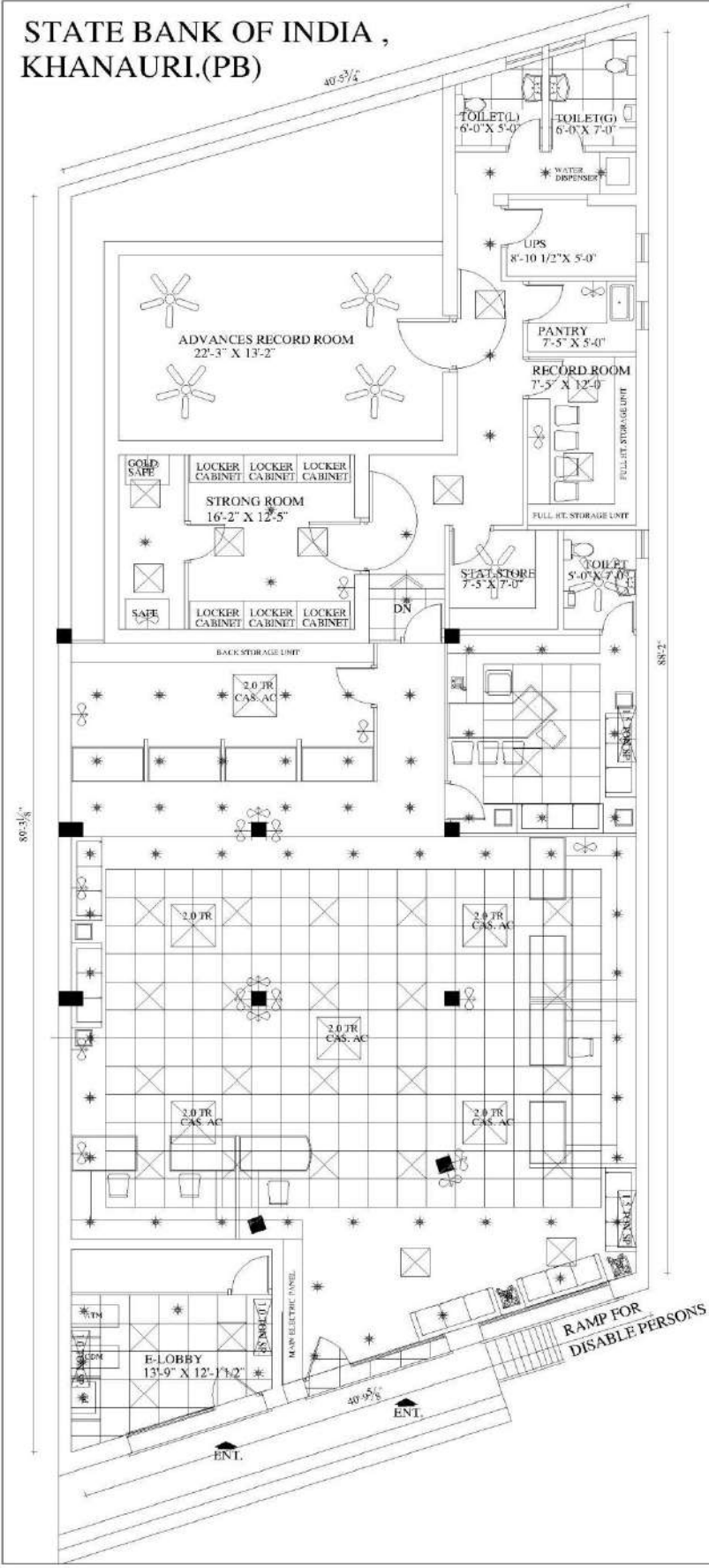


section of ceiling

LEGEND		
	GYPSUM BOARD FALSE CEILING	
	TEAK WOOD VINEAR FALSE CEILING	
	GRID CEILING (PPGI METAL PERFORATED SHEET)	
PROPOSED INTERIOR FOR STATE BANK OF INDIA KHANAURI.(PB).		
REV. DESCRIPTION DATE		
JOB NO. 1198		DRG.NO. W-2
SCALE: 1"=1'-0"		DATE:
AAKAAR ASSOCIATES ARCHITECTS, ENGINEERS, INTERIOR DESIGNERS S.C.O. 28-1 SECOND FLOOR, SECTOR-35 DELHANEIGARH, TEL.-0173-2601405 (O), 901295655, 88378951 (M)		
DRN. BY CHKD BY APRD BY	NAME PARDEFEP NBERAJ	SIGN.

STATE BANK OF INDIA ,
KHANAURI.(PB)

W-3

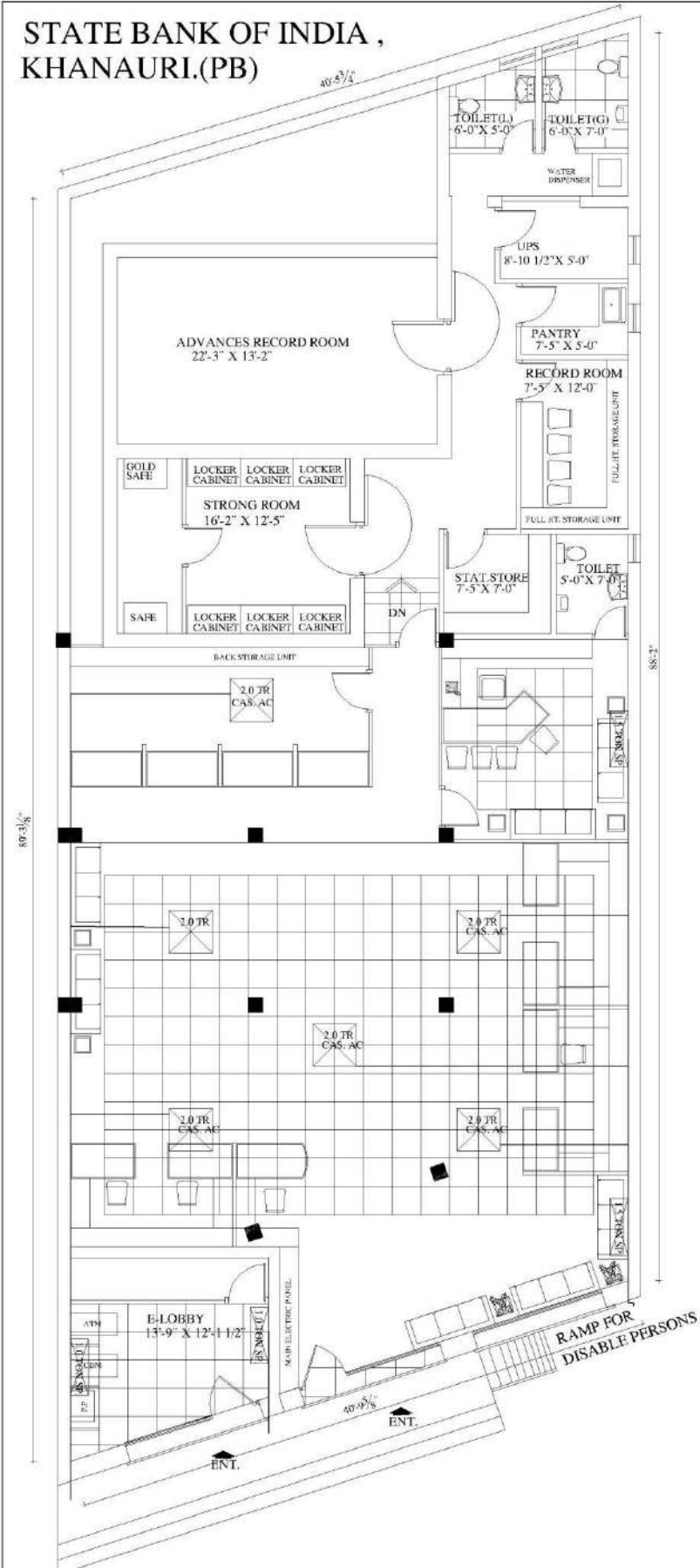


LEGEND		
	CEILING FAN	6 -NO.
	LED 36 WATTS	35-NO
	LED 15 WATTS	76-NO
	WALL FAN	22 NO
	TUBE	18-NO
	E.F	EXHAUST FAN 5-NO

PROPOSED INTERIOR FOR STATE BANK OF INDIA KHANAURI.(PB).		
REV.	DESCRIPTION	DATE
JOB NO. .1198	DRG.NO. W-1	DATE:-
SCALE: 1"=1'-0"		
	AAKAAR ASSOCIATES ARCHITECTS, ENGINEERS, INTERIOR DESIGNERS S.C.D.78/1 SECOND FLOOR, SECTOR-33D, CHANDIGARH TEL. +9173-2901-8570 9412025655, 8877086110 (M)	NAME SIGN.
DRN BY	PARDEEP	
CHKD BY		
APRD BY	NEERAJ	

**STATE BANK OF INDIA ,
KHANAURI.(PB)**

W-4



LEGEND	
	2.0 TR CASSETTE-6 NOS.
	1.5 TON SPLIT UNIT-2 NO.
	1.0 TON SPLIT UNIT-2 NO.
	OUT DOOR UNIT
	DRAIN PIPE

PROPOSED INTERIOR FOR STATE BANK OF INDIA KHANAURI.(PB).		
REV.	DESCRIPTION	DATE
JOB NO. .1198	DRG.NO. W-4	
GROUND FLOOR PLAN (A.C.LAYOUT)		SCALE: 1"=1'-0"
AAKAAR ASSOCIATES ARCHITECTS, ENGINEERS, INTERIOR DESIGNERS S.C.D. 78-1 SECOND FLOOR SECTOR-30 D.CHANDIGARH TEL-91173-260185(10) 961205855 8877885110(M)		NAME DRN.BY: PARDHEEP CHKD BY: APRD BY: NEERAJ