

SECTION AT A-A

**NOTES & LEGENDS :**

1. Dimensions must not be scaled from this drawing.
2. All dimensions to be checked on site and discrepancies are to be referred to this office for decision.
3. This drawing should be read in conjunction with other relevant Architectural, structural drawings and relevant sections of the specifications.

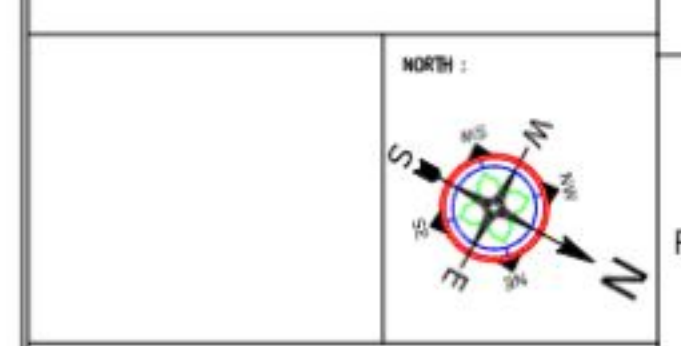
REVISION STATUS		
0		
REV.	DATE	DESCRIPTION

CLIENTS :  
STATE BANK OF INDIA  
LOCAL HEAD OFFICE - HYD



PROJECT :  
RSETI BUILDING IN KHAMMAM

DRAWING TITLE :  
SECTION AT A-A  
TENDER DRAWING



CONSULTANTS :

Architects, Interiors Designers, Valuers,  
Urban Planners, Project Managers

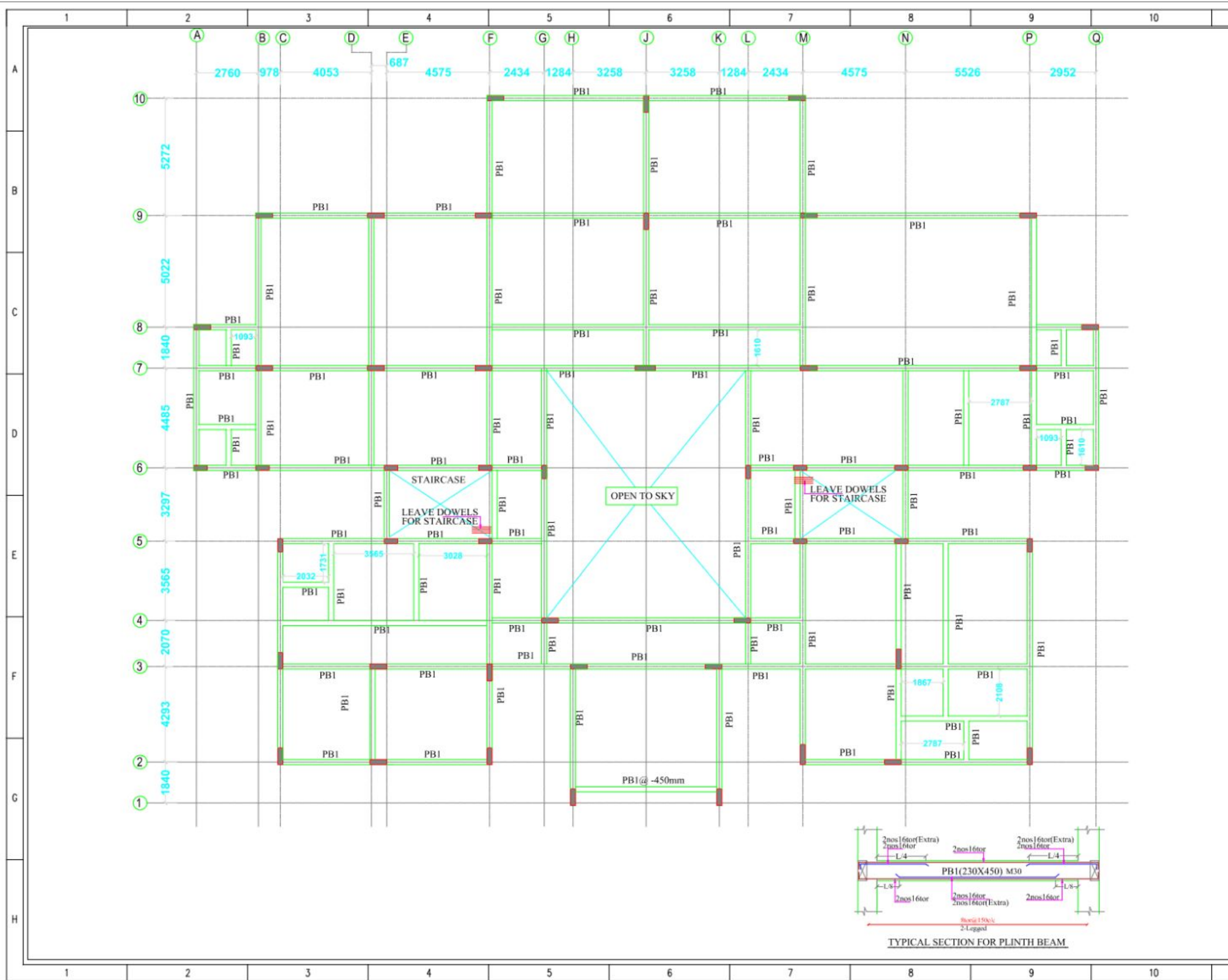
	initials	signed by	date
drawn by			17-06-2023
designed & checked	AR. SREENATH		
approved by	AR. SREENATH		
scale	CAD file		
job number:			

drawing number	REV <b>1</b>
----------------	-----------------

This drawing is copyright and may not be copied or reproduced in any form w/out prior consent in writing of ABHIKRAM architects byd







**NOTES & LEGENDS :**

1. Dimensions must not be scaled from this drawing.
2. All dimensions to be checked on site and discrepancies are to be referred to this office for decision.
3. This drawing should be read in conjunction with other relevant, Architectural, structural drawings and relevant sections of the specifications.

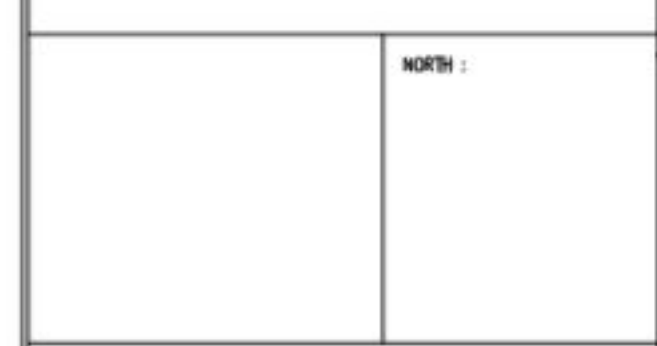
REVISION STATUS		
0		
REV.	DATE	DESCRIPTION

CLIENTS :  
STATE BANK OF INDIA  
LOCAL HEAD OFFICE - HYD



PROJECT :  
RSETI BUILDING IN KHAMMAM

DRAWING TITLE :  
PLINTH BEAM DETAILS  
TENDER DRAWING

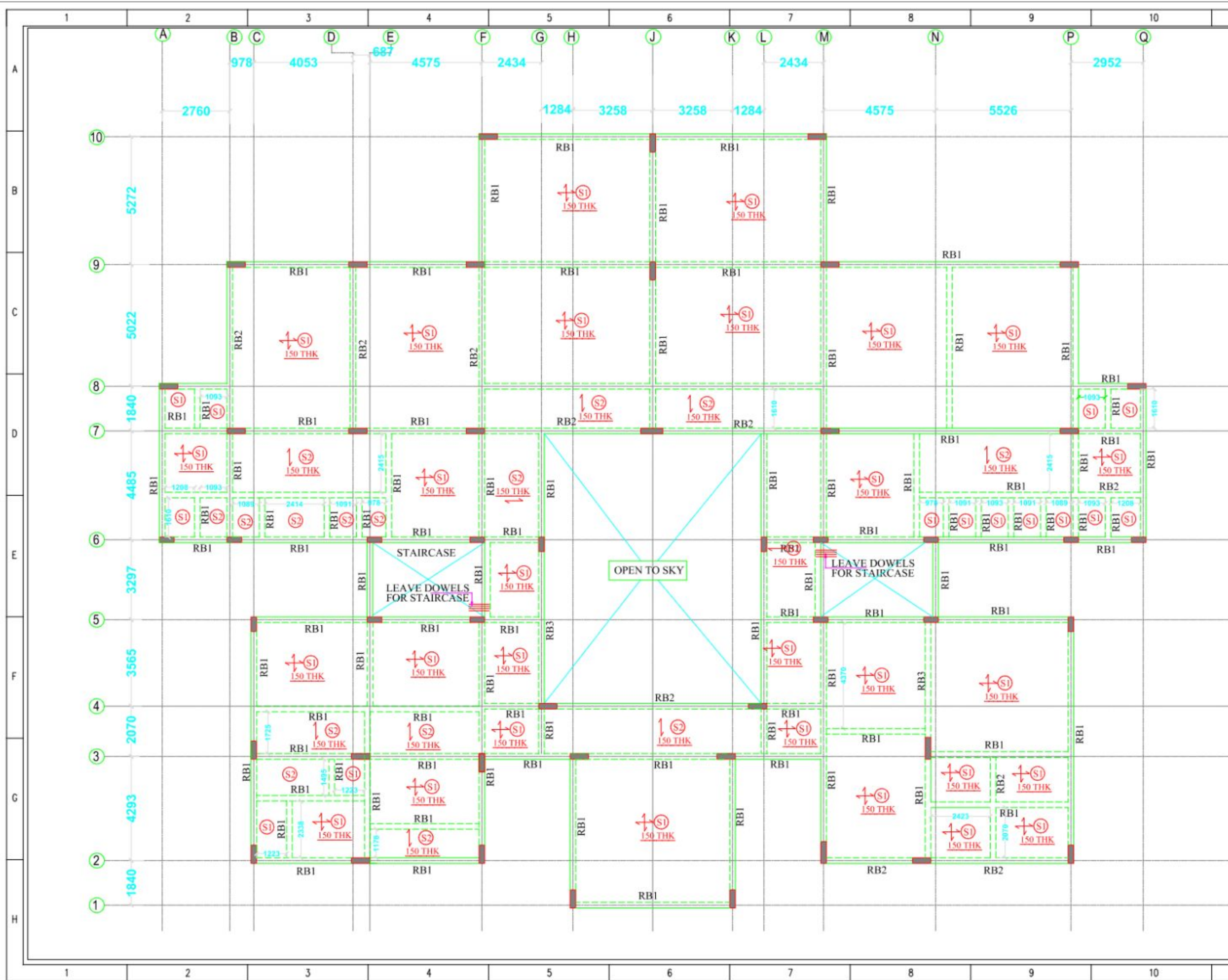


CONSULTANTS :

Architects, Interiors Designers, Valuers,  
Urban Planners, Project Managers

	Initials	signed by	date
drawn by			17-06-2023
designed & checked	AR.	SREENATH	
approved by	AR.	SREENATH	
scale	CAD file		
job number:			
drawing number			REV <b>1</b>

This drawing is copyright and may not be copied or reproduced in any form w/out prior consent in writing of ABHIKRAM architects byd



**NOTES & LEGENDS :**

1. Dimensions must not be scaled from this drawing.
2. All dimensions to be checked on site and discrepancies are to be referred to this office for decision.
3. This drawing should be read in conjunction with other relevant, Architectural, structural drawings and relevant sections of the specifications.

REVISION STATUS		
REV.	DATE	DESCRIPTION
0		

CLIENTS :  
**STATE BANK OF INDIA**  
**LOCAL HEAD OFFICE - HYD**



PROJECT :  
**RSETI BUILDING IN KHAMMAM**

DRAWING TITLE :  
 TYPICAL ROOF SLAB DETAILS  
 TENDER DRAWING

NORTH :

CONSULTANTS :



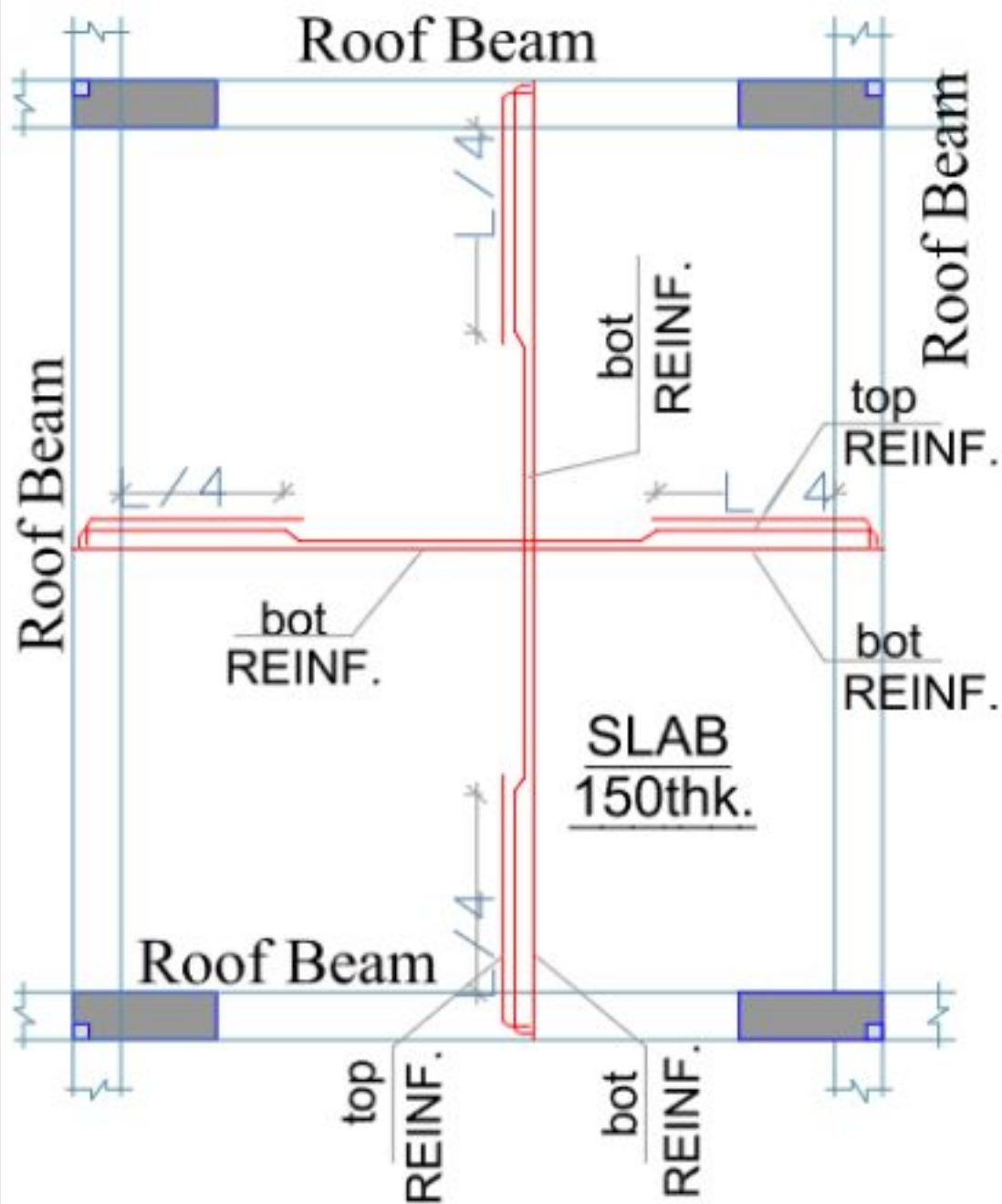
Architects, Interiors Designers, Valuers,  
 Urban Planners, Project Managers

	Initials	signed by	date
drawn by			17-06-2023
designed & checked	AR. SREENATH		
approved by	AR. SREENATH		
scale	CAD file		
job number:			
drawing number			REV <b>1</b>

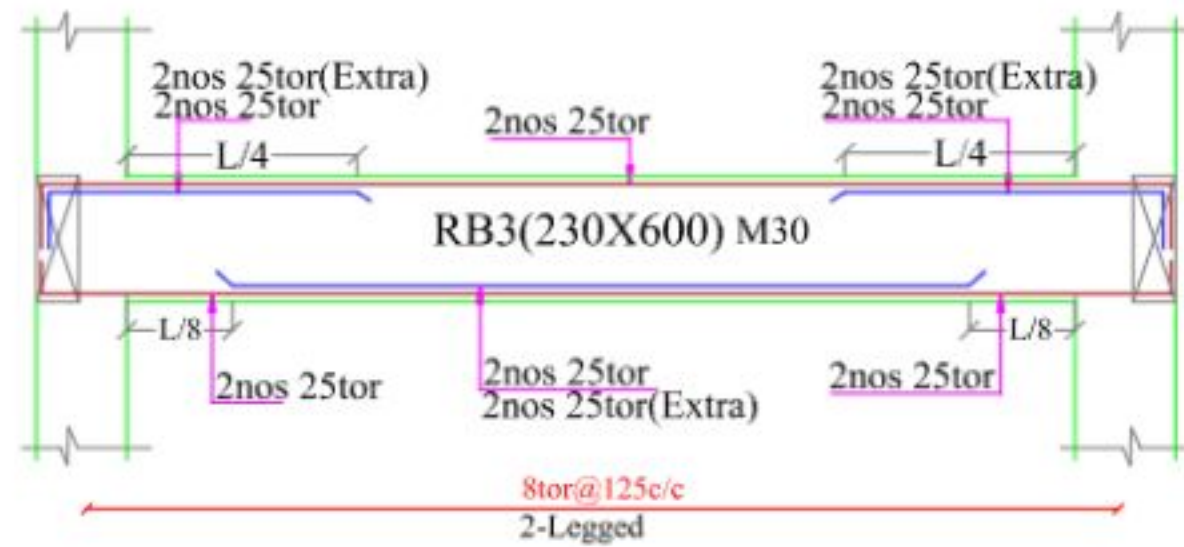
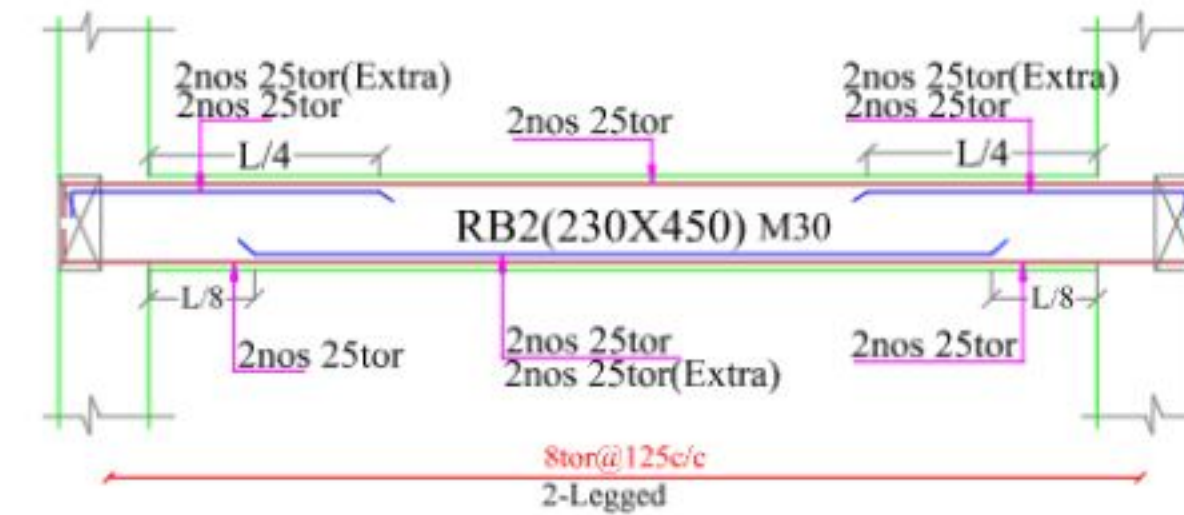
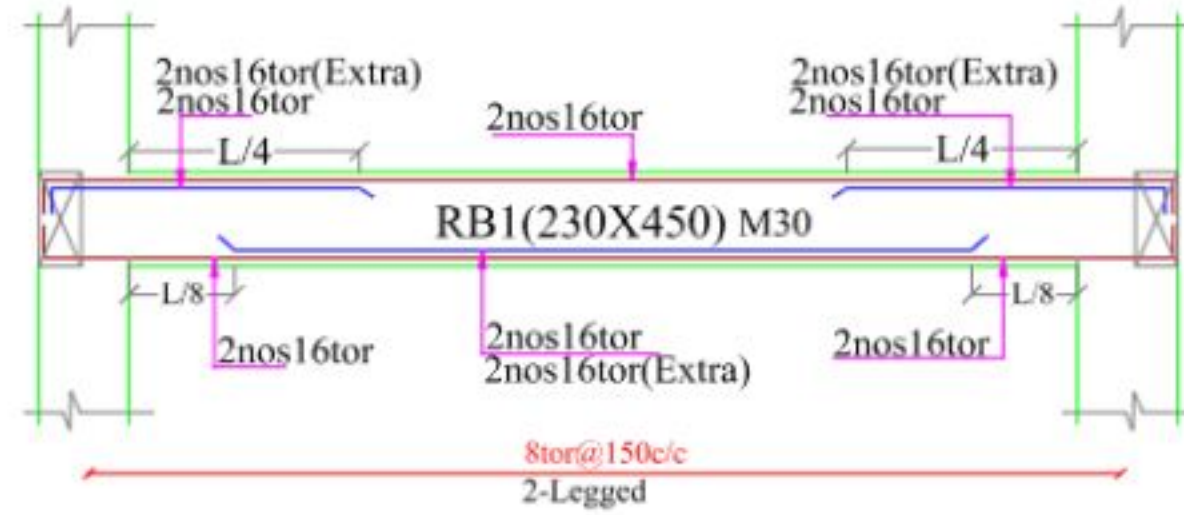
This drawing is copyright and may not be copied or reproduced in any form w/out prior consent in writing of ABHIKRAM architects byd

## SLAB REINFORCEMENT DETAILS (M25)

SLAB No.	SLAB THICKNESS MM	ALONG SHORT SPAN		ALONG LONG SPAN		REMARKS
		TOP AT SUPPORTS	BOTTOM AT MIDSPAN	TOP AT SUPPORTS	BOTTOM AT MIDSPAN	
S1	150	10Tor 150c/c	10Tor 150c/c	10Tor 150c/c	10Tor 150c/c	Two - Way
S2	150	10Tor 150c/c	8Tor 230c/c	—————	8Tor 230c/c	one - Way



**TYPICAL DETAILS FOR SLAB PANEL**



### NOTES & LEGENDS :

1. Dimensions must not be scaled from this drawing.
2. All dimensions to be checked on site and discrepancies are to be referred to this office for decision.
3. This drawing should be read in conjunction with other relevant, Architectural, structural drawings and relevant sections of the specifications.

REVISION STATUS		
0		
REV.	DATE	DESCRIPTION

CLIENTS :  
**STATE BANK OF INDIA**  
 LOCAL HEAD OFFICE - HYD

PROJECT :  
**RSETI BUILDING IN KHAMMAM**

DRAWING TITLE :  
 TYPICAL ROOF SLAB AND BEAM DETAILS  
 TENDER DRAWING

NORTH :

CONSULTANTS :

Architects, Interiors Designers, Valuers,  
 Urban Planners, Project Managers

	Initials	signed by	date
drawn by			17-06-2023
designed & checked	AR. SREENATH		
approved by	AR. SREENATH		
scale	CAD file		
job number:			
drawing number			REV <b>1</b>

This drawing is copyright and may not be copied or reproduced in any form w/out prior consent in writing of ABHIKRAM architects byd