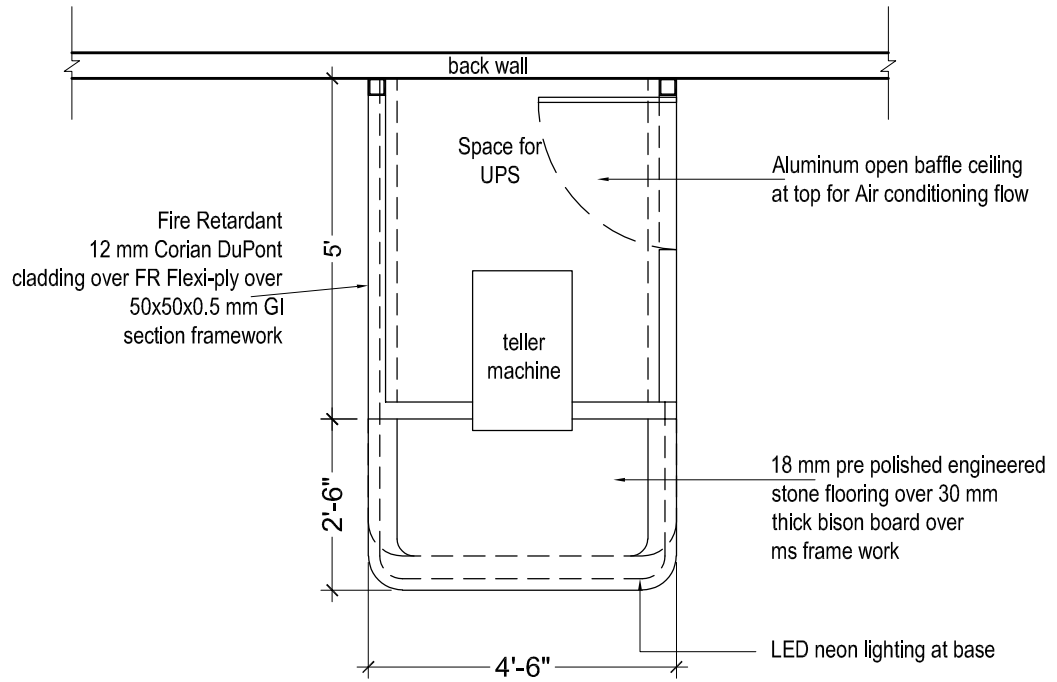


HHL2-SHA Domestic Departure & Check in



PLAN



FRONT VIEW

BACK VIEW (FOR HHL2 COURTYARD)



ATM AT JEWAR AIRPORT

ATM AT HHL2-SHA Domestic Departure & Check in

Date: 21/04 / 2026 (R3) Drawing No.: SBI/NO/01

Revision: - Scale: 1:100 ON A4

Drawn: ojay Checked: AAMIR

GEOTECH TECHNICAL ASSOCIATES (P) LTD.
G T A
B-004, Amrapali Princydy Estate, Sector - 76, Noida - 201301
ph.: 9818938150, 9910297218
e-mail: technicalassociates9@gmail.com