

| | | |
|--|---|----|
| | 450MM SWEEP EXHAUST FAN | 01 |
| | 150MM SWEEP EXHAUST FAN | 02 |
| | LED1 2'X2' 36W ON RAWPOWER RECESS MOUNTED | 08 |
| | LED1 2'X2' 36W ON INVERTER RECESS MOUNTED | 03 |
| | LED2 10W ON INVERTER | 02 |
| | LED2 10W ON INVERTER | 02 |
| | LED3 22W ON RAWPOWER | 09 |
| | LED3 22W ON INVERTER | 11 |
| | LED4 10W ON RAWPOWER | 06 |
| | LED4 10W ON INVERTER | 02 |
| | 1200MM CEILING FAN | 04 |

REV NO DATE DESCRIPTION

DRAWING ISSUED FOR :

APPROVAL :

TENDER :

STUDY :

EXECUTION :

ELECTRICAL

CLIENT :
STATE BANK OF INDIA
LC ROAD SHIVAJINAGAR,
BANGALORE, 560001.

JOB TITLE :
RENOVATION WORK AT FIRST FLOOR
OF SBI LC ROAD BRANCH

DRAWING :

LIGHTING PLAN

• SCALE : 1:100 • DEALT : AJAY

• DATE : 06-03-2026 • DRAWN : AJAY

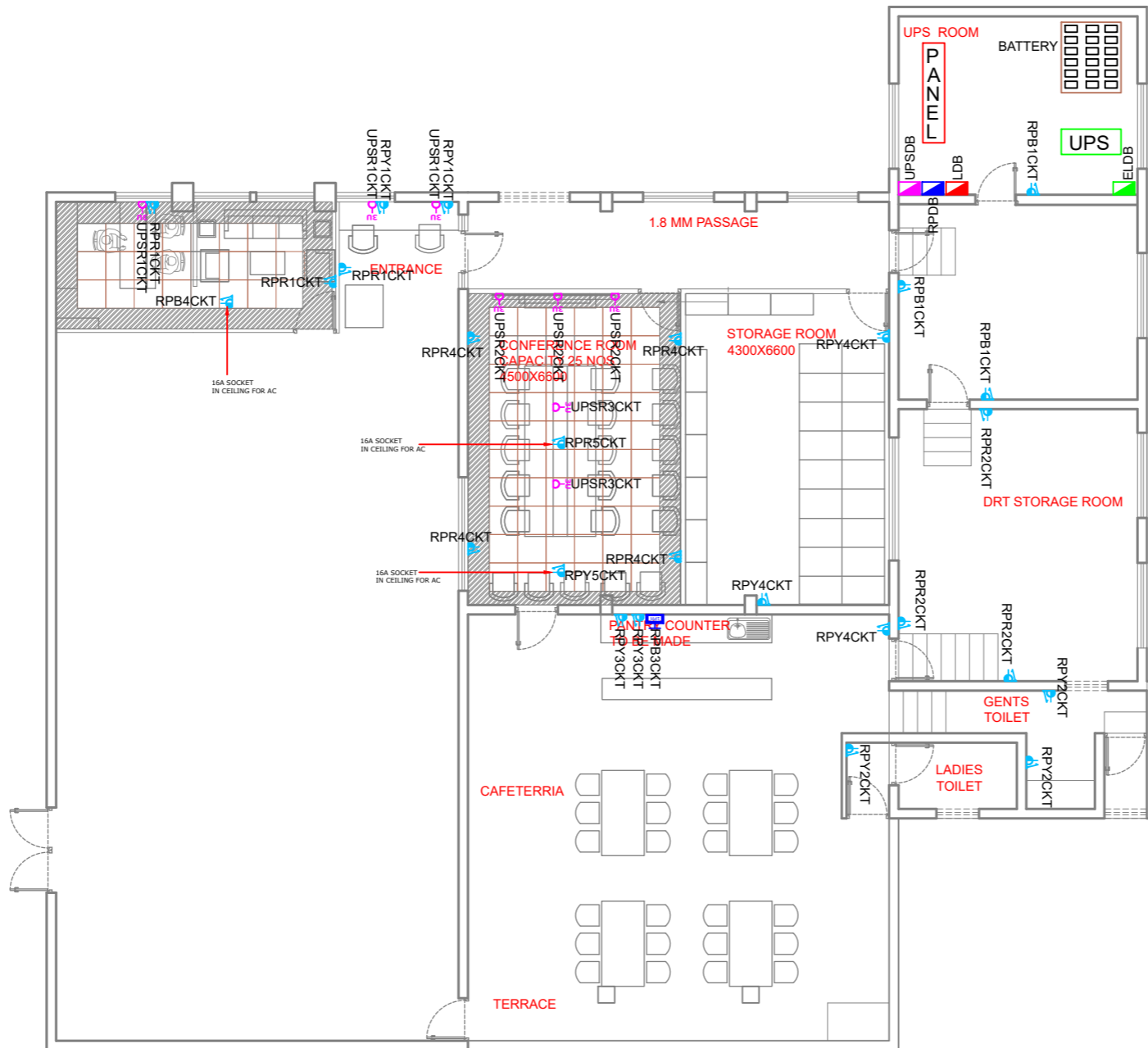
• ISSUED : 30-03-2026 • CHECKED: KUMAR

ARCHITECTS :
KAREKAR & ASSOCIATES
282 ,GROUND FLOOR , 14TH CROSS ,
HIG DOLLARS COLONY,RMV 2nd STAGE ,
BANGALORE - 560 054 , INDIA

DRAWING NO : SBI/FF LC RD/ELE/LIGHT/01

SHEET NO : 01 R0

COPY RIGHT :
Drawings and specifications as instruments of services are the property of the architect whether the work for which they are made be executed or not, and they are not to be used on their work except by agreement.



| | | |
|--|---|----|
| | 3Nos OF 6A SOCKET CONTROLLED BY 1No OF 16A SWITCH | 10 |
| | 1No OF 16A SOCKET CONTROLLED BY 1No OF 16A SWITCH | 26 |
| | 1No OF 25A INDUSTRIAL SOCKET CONTROLLED BY 25A DP MCB | 01 |

| REV NO | DATE | DESCRIPTION |
|----------------------|-------------------------------------|-------------|
| DRAWING ISSUED FOR : | | |
| APPROVAL : | <input type="checkbox"/> | |
| TENDER : | <input checked="" type="checkbox"/> | |
| STUDY : | <input type="checkbox"/> | |
| EXECUTION : | <input type="checkbox"/> | |

ELECTRICAL

CLIENT :
STATE BANK OF INDIA
LC ROAD SHIVAJINAGAR,
BANGALORE, 560001.

JOB TITLE :
RENOVATION WORK AT FIRST FLOOR
OF SBI LC ROAD BRANCH

DRAWING :
POWER PLAN

| | |
|-----------------------|------------------|
| • SCALE : 1:100 | • DEALT : AJAY |
| • DATE : 06-03-2026 | • DRAWN : AJAY |
| • ISSUED : 30-03-2026 | • CHECKED: KUMAR |

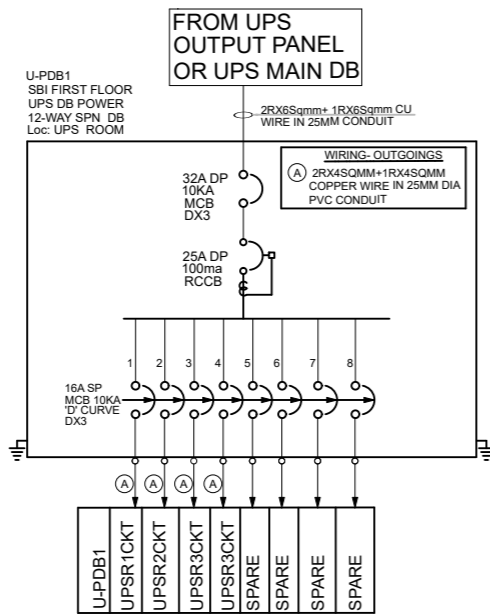
ARCHITECTS :
KAREKAR & ASSOCIATES
282 ,GROUND FLOOR , 14TH CROSS ,
HIG DOLLARS COLONY,RMV 2nd STAGE ,
BANGALORE - 560 054 , INDIA

DRAWING NO : SBI/FF LC RD/FF/ELE/POWER/02

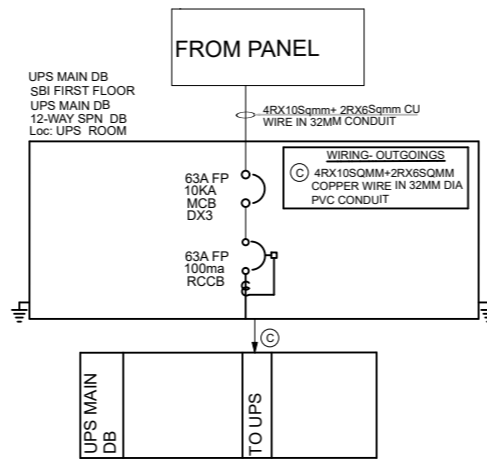
SHEET NO : 02 R0

COPY RIGHT :
Drawings and specifications as instruments of services are the property of the architect whether the work for which they are made be executed or not, and they are not to be used on their work except by agreement.

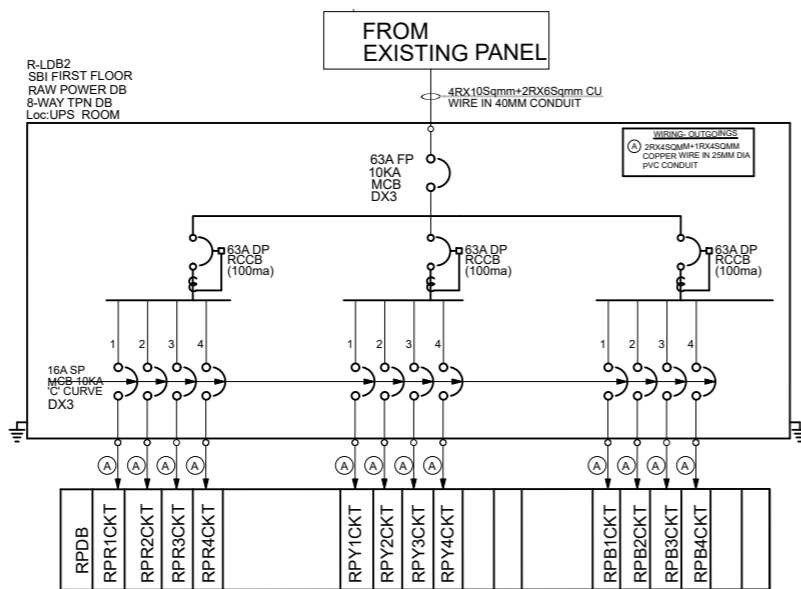
FIRST FLOOR UPS POWER DB SCHEMATIC



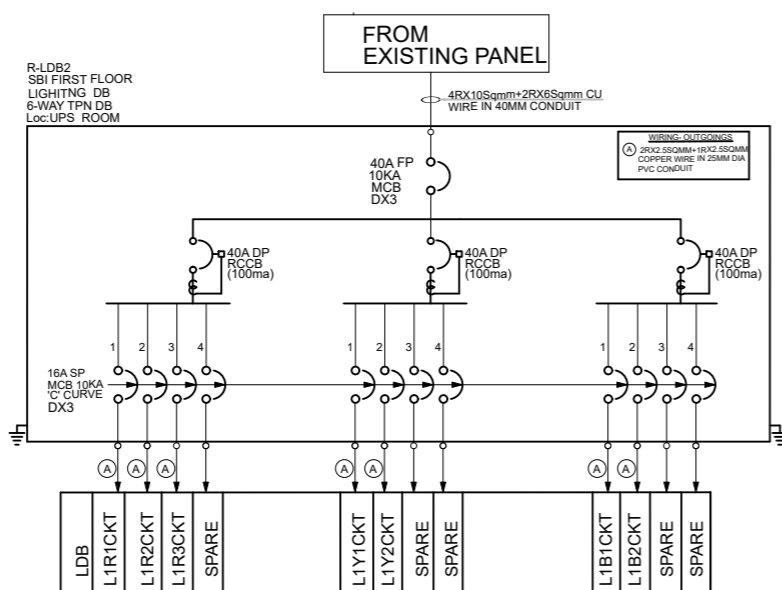
FIRST FLOOR UPS MAIN DB



FIRST FLOOR RAWPOWER DB SCHEMATIC



FIRST FLOOR LIGHTING DB SCHEMATIC



| REV NO | DATE | DESCRIPTION |
|----------------------|------|-------------|
| DRAWING ISSUED FOR : | | |
| APPROVAL : | | |
| TENDER : | | |
| STUDY : | | |
| EXECUTION : | | |

ELECTRICAL

CLIENT :
STATE BANK OF INDIA
LC ROAD SHIVAJINAGAR,
BANGALORE, 560001.

JOB TITLE :
RENOVATION WORK AT FIRST FLOOR
OF SBI LC ROAD BRANCH

DRAWING :
DB SCHEMATIC

| | |
|-----------------------|------------------|
| • SCALE : NA | • DEALT : AJAY |
| • DATE : 06-03-2026 | • DRAWN : AJAY |
| • ISSUED : 30-03-2026 | • CHECKED: KUMAR |

ARCHITECTS :
KAREKAR & ASSOCIATES
282 , GROUND FLOOR , 14TH CROSS ,
HIG DOLLARS COLONY,RMV 2nd STAGE ,
BANGALORE - 560 054 , INDIA

DRAWING NO : SBI/FF LC RD//FF/ELE/DB SCH/04

SHEET NO : 03 R0

COPY RIGHT :
Drawings and specifications as instruments of services are the property of the architect
whether the work for which they are made be executed or not, and they are not to be used on
their work except by agreement.